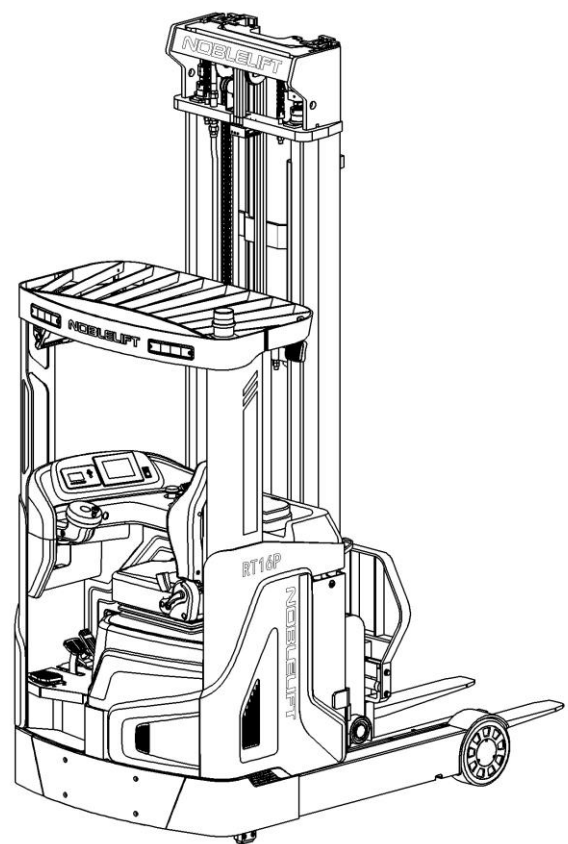


NOBLELIFT

Reach Truck RT16P

PARTS MANUAL

212146020101



Version V06

Truck Identification Number From:

Parts Manual

RT16P-PM06EN

Please order spare parts from authorized dealers of Noblelift Intelligent Equipment Co., LTD.

In order to avoid wrong delivery, all the orders for spare parts should specify the following items:

- Truck model, identification number and manufacture year.
- Orders for spare parts of mast, hydraulic transmission unit, steering axle, motor, etc. shall indicate the manufacture number of these parts.
- Codes for Noblelift spare parts are shown in the table of parts manual. Please also pay attention to the description of supply status, order quantity, etc. (check the number listed in "Mark" column of the parts manual).

"Mark" Column:

The unmarked indicates the parts are in short supply cycle.

Number 1: supply as package. Indicating these that parts are small parts and seal parts, which are supplied in package unit and in short supply cycle.

Number 2: supply with constraints. Indicating that these spare parts are not in stock and will be prepared for production after receiving the order from customers, which are in long supply cycle.

Number 3: phasing-out supply. Indicating that these parts will be replaced by new parts due to technical improvements and the current stock will not be available when these parts run out. Please check the description of technical improvements notice.

Number 4: supply as assembly. Indicating that these parts are assembly parts defined by manufacture process, which cannot be supplied as a single part.

Number 5: check other tables.

This parts manual is the property of Noblelift and can be shared under the confidential agreement only, Noblelift has the right to claim for compensation of any unauthorized use. Copy without permission is not allowed. Figures in the manual are not limited by the original design. Noblelift Intelligent Equipment Co., LTD reserves the right to improve the products for continuous technology progress.

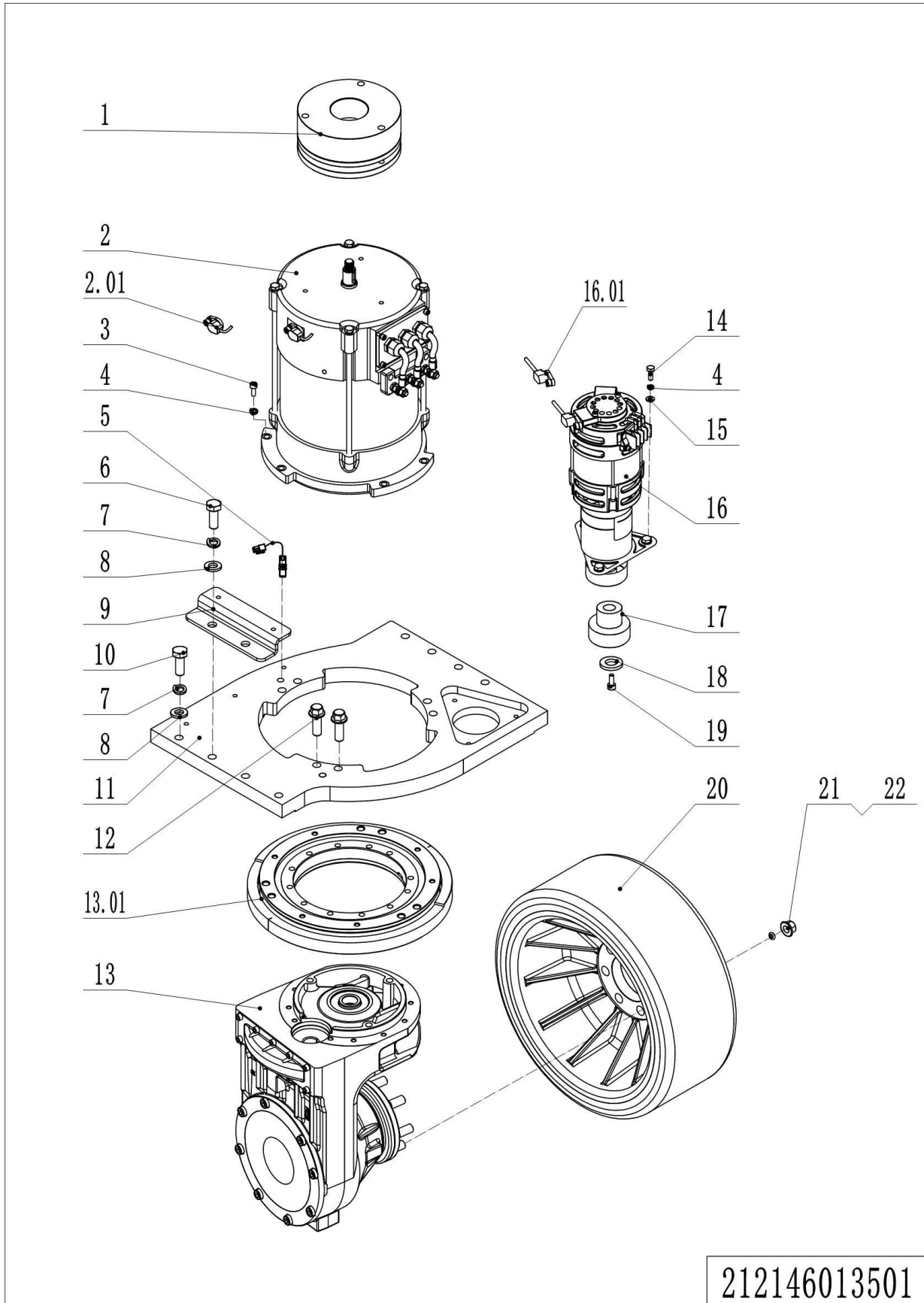
Table of Contents

Chapter 1: Drive System	1
01 Drive Unit (212146013501).....	1
01 Drive Unit (212146013501) Continuation 1	3
02 Drive Unit (EN1175-2020) (213146013551).....	5
02 Drive Unit (EN1175-2020) (213146013551) Continuation 1	7
03 Steering Motor (212146013502).....	9
04 Lift Unit (212146032501).....	11
Chapter 2: Hydraulic System	13
01 Hydraulic Assembly (212146025001)	13
02 Hydraulic Distributor (213146025503)	15
03 Reach Cylinder (212146020001).....	17
04 Oil Tank (212146019001).....	19
05 Tilt Cylinder (212146020501)	21
Chapter 3: Truck Frame	23
01 Chassis (212146021501).....	23
01 Chassis (212146021501) Continuation 1	25
02 Chassis - Electrical (212146021502).....	27
02 Chassis - Electrical (212146021502) Continuation 1	29
03 Handle Assembly (212146021503).....	31
04 Overhead Guard (212146022001)	33
05 Platform (212146018001).....	35
06 Seat (212146037501).....	37
Chapter 4: Mast Structure	39
01 Outer Mast (212146044501).....	39
01 Outer Mast (212146044501) Continuation 1	41
01 Outer Mast (212146044501) Continuation 2	43
02 Middle Mast (212146044502)	45
02 Middle Mast (212146044502) Continuation 1.....	47
03 Inner Mast (212146044503)	49
03 Inner Mast (212146044503) Continuation 1.....	51
03 Inner Mast (212146044503) Continuation 2.....	53
04 Reach Frame (212146044504).....	55
04 Reach Frame (212146044504) Continuation 1	57
05 Fork Carriage (212146044505).....	59
05 Fork Carriage (212146044505) Continuation 1	61
06 Mast Hydraulic (212146044506).....	63
06 Mast Hydraulic (212146044506) Continuation 1	65
06 Mast Hydraulic (212146044506) Continuation 2	67
06 Mast Hydraulic (212146044506) Continuation 3	69
Chapter 5: Steering System, Braking System, Wheels	71
01 Steering Wheel (212146031501)	71
01 Steering Wheel (212146031501) Continuation 1	73

02 Brake Unit (212146011501)	75
03 Brake Pedal (212146011502).....	77
04 Load Wheel (212146017001)	79
Chapter 6: Electrical Parts.....	81
01 Wire Harness (212146033001)	81
02 Charger (212146036501).....	83
02 Charger (212146036501) Continuation 1	85
Chapter 7: Special Parts	87
01 Battery Holder (212146012501).....	87
01 Battery Holder (212146012501) Continuation 1	89
02 Battery Holder (Side-pull) (212146012502).....	91
02 Battery Holder (Side-pull) (212146012502) Continuation 1	93
03 Monitor (212146036001).....	95
04 Monitor (Wired power) (212146036002)	97
05 Height Preselection System (212146066501).....	99
05 Height Preselection System (212146066501) Continuation 1	101
Chapter 8: Others	103
01 Control Panel (212146010001).....	103
02 Integrated Control Console (212146010002).....	105
03 Adjustable Console Support (212146010003)	107
04 Labels and Decals (212146047001).....	109
Appendix.....	111
01 Electrical Circuit Diagram (1232SE).....	111
02 Electrical Circuit Diagram (F4A)	112
03 Electrical Circuit Diagram (F4A, EN1175-2020)	113
04 Electrical Circuit Diagram (1232SE+1353+3401).....	114
05 Hydraulic Circuit Diagram	115
06 Consumable Parts List	116

Chapter 1: Drive System

01 Drive Unit (212146013501)

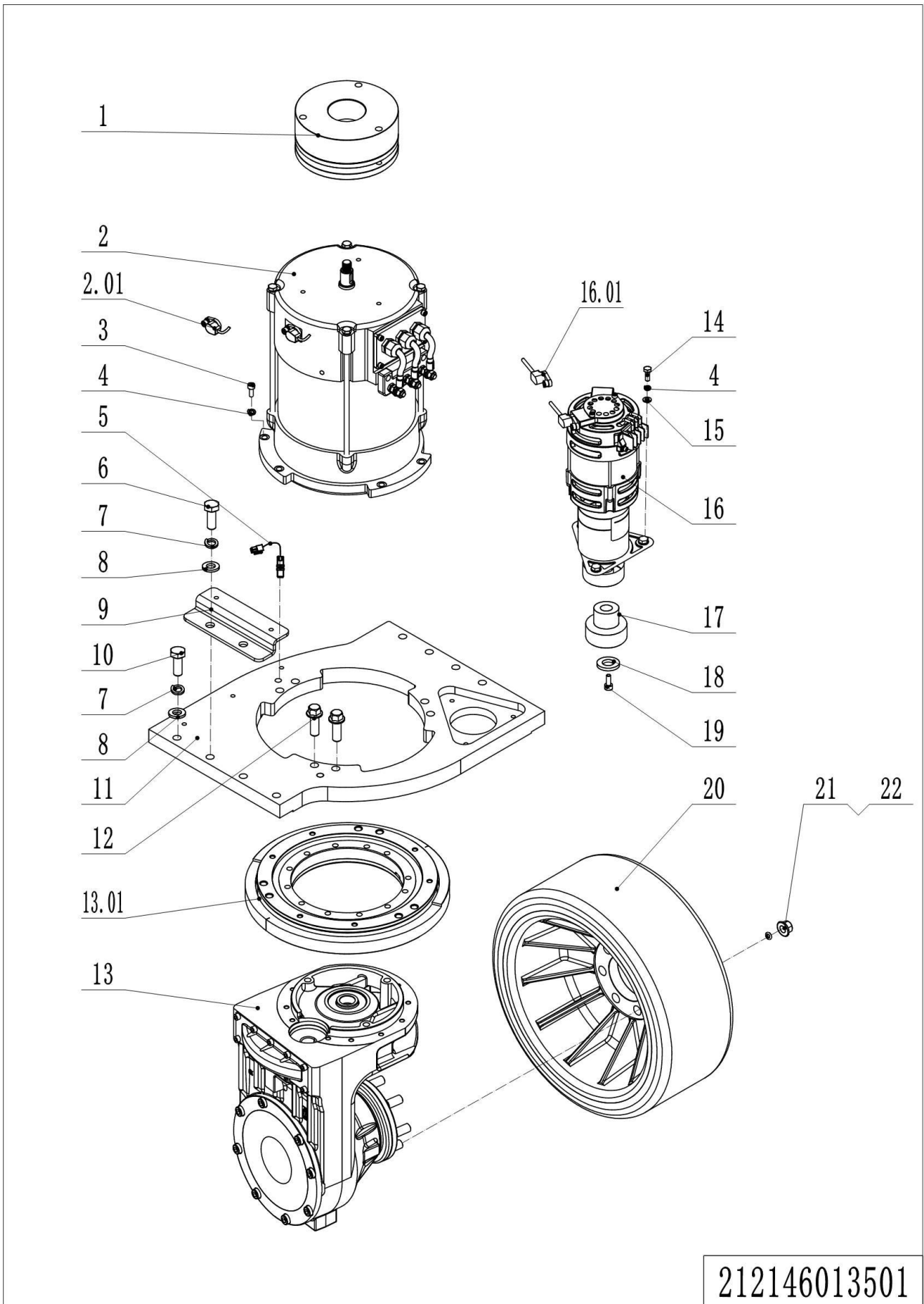


1= Supply as package. 2= Supply with constraints. 3= Phasing-out supply. 4= Supply as assembly. 5= Check other tables.

01 Drive Unit (212146013501)

No.	Item Code	Mark	Item Description	Qty.	Substitute	Note
1	940700100003		Brake	1		
2	920900100110		Motor	1		SCH,6.4kw
2	920900100143		Motor	1		HuaSheng,7kw
2	920900100152		Motor	1		HuaSheng,3.9kW
2	920900100160		Motor	1		HuaSheng,10kW
2.01	921800200011		Encoder	1		SCH
2.01	921800200037		Encoder	1		HuaSheng
3	910200200061		Screw	6		
4	910400500006		Spring Washer	10		
5	212133510010		Proximity Switch	1		
6	910100300096		Bolt	2		
7	910400500008		Spring Washer	8		
8	910400100008		Flat Washer	8		
9	212121520047		Fixing Plate	1		
10	910100300095		Bolt	7		
11	213021520224		Plate	1		
12	910100800003		Bolt	6		
13	941000100007		Gearbox	1		
13.01	213098510055		Swing Support	1		
14	910400100006		Flat Washer	3		
15	910100300023		Bolt	3		
16	940900800001		Steering Motor	1		Disable
16	940900800005		Steering Motor	1		See 212146013502
16.01	921800200012		Encoder	1		940900800001
16.01	921800200049		Encoder	1		940900800005
17	940998520071		Gear	1		
18	505616520007		Washer	1		
19	910200200058		Screw	1		

01 Drive Unit (212146013501) Continuation 1



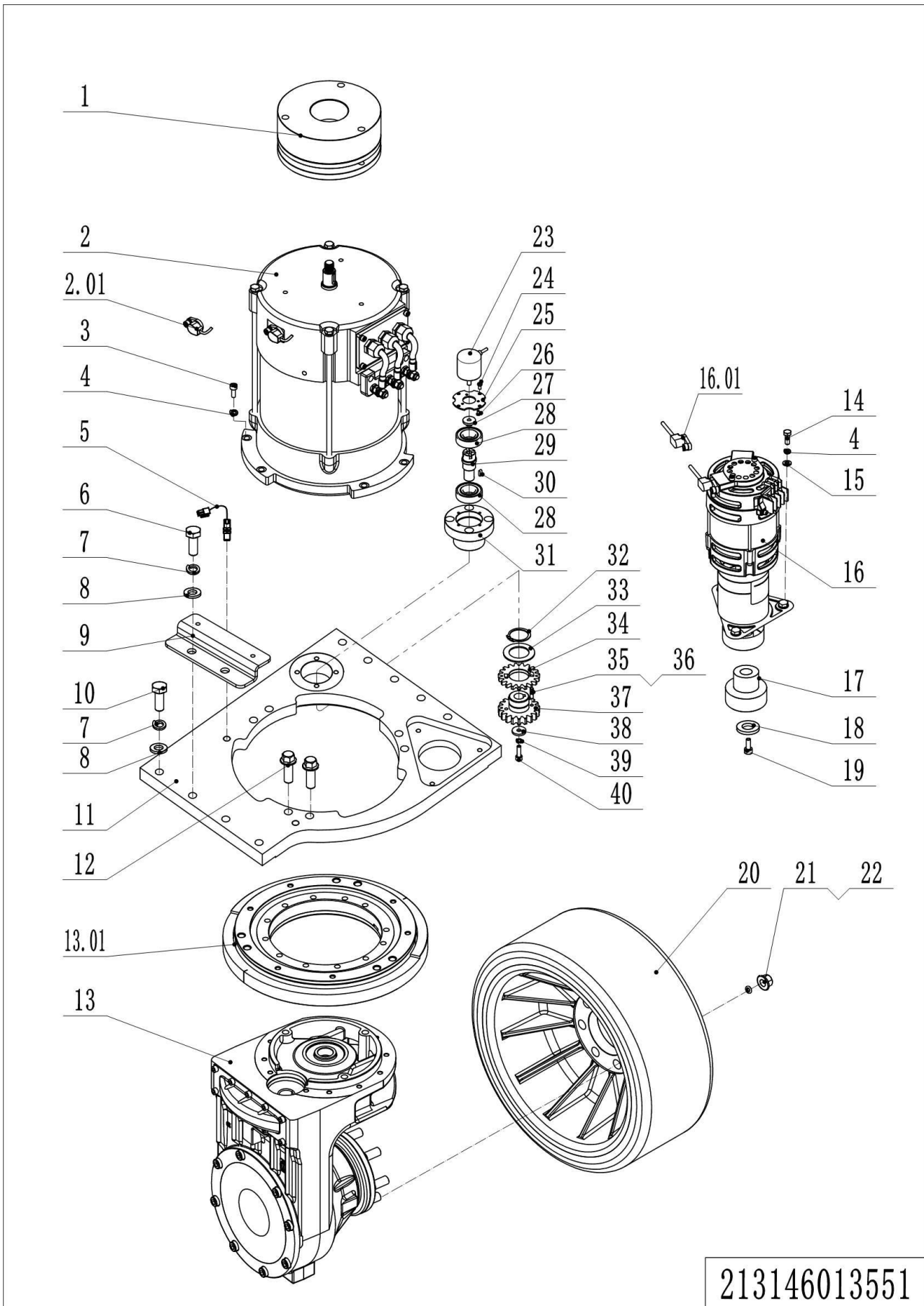
212146013501

1= Supply as package. 2= Supply with constraints. 3= Phasing-out supply. 4= Supply as assembly. 5= Check other tables.

01 Drive Unit (212146013501) Continuation 1

No.	Item Code	Mark	Item Description	Qty.	Substitute	Note
20	940300400041		Wheel Φ 343x140	2		Stellana
20	940300400044		Wheel Φ 343x140	2		Stellana, Arc
20	940300400028		Wheel Φ 343x140	2		YuLin, Disable
21	940998520072		Nut	7		
22	940998520073		Spring Washer	7		

02 Drive Unit (EN1175-2020) (213146013551)

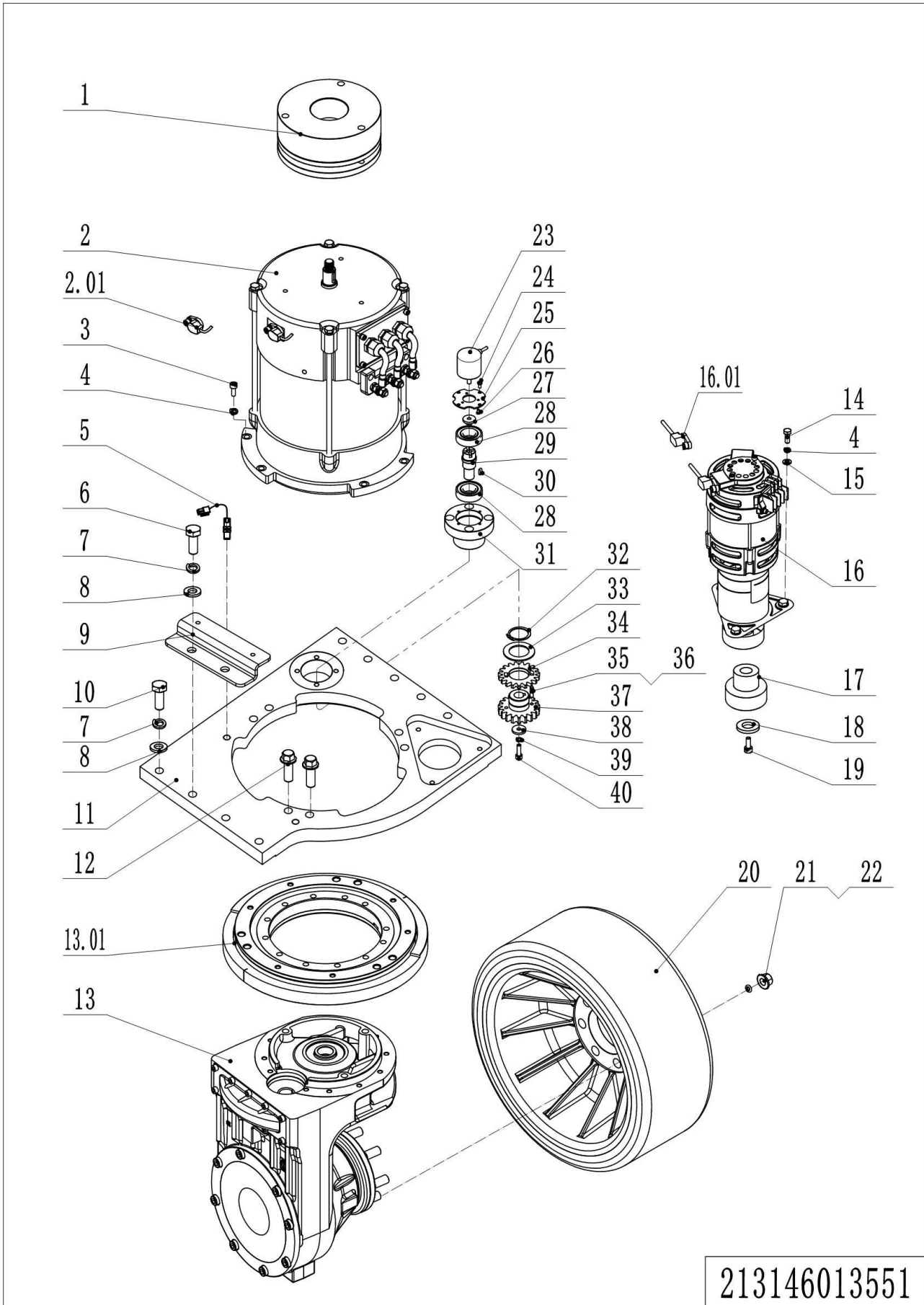


1= Supply as package. 2= Supply with constraints. 3= Phasing-out supply. 4= Supply as assembly. 5= Check other tables.

02 Drive Unit (EN1175-2020) (213146013551)

No.	Item Code	Mark	Item Description	Qty.	Substitute	Note
1	940700100003		Brake	1		
2	920900100110		Motor	1		SCH,6.4kw
2	920900100143		Motor	1		HuaSheng,7kw
2	920900100152		Motor	1		HuaSheng,3.9kW
2	920900100160		Motor	1		HuaSheng,10kW
2.01	921800200011		Encoder	1		SCH
2.01	921800200037		Encoder	1		HuaSheng
3	910200200061		Screw	6		
4	910400500006		Spring Washer	10		
5	212133510010		Proximity Switch	1		
6	910100300096		Bolt	2		
7	910400500008		Spring Washer	8		
8	910400100008		Flat Washer	8		
9	212121520047		Fixing Plate	1		
10	910100300095		Bolt	7		
11	212113520003		Plate	1		
12	910100800003		Bolt	6		
13	941000100007		Gearbox	1		
13.01	213098510055		Swing Support	1		
14	910400100006		Flat Washer	3		
15	910100300023		Bolt	3		
16	940900800001		Steering Motor	1		Disable
16	940900800005		Steering Motor	1		See 212146013502
16.01	921800200012		Encoder	1		940900800001
16.01	921800200049		Encoder	1		940900800005
17	940998520071		Gear	1		
18	505616520007		Washer	1		
19	910200200058		Screw	1		

02 Drive Unit (EN1175-2020) (213146013551) Continuation 1



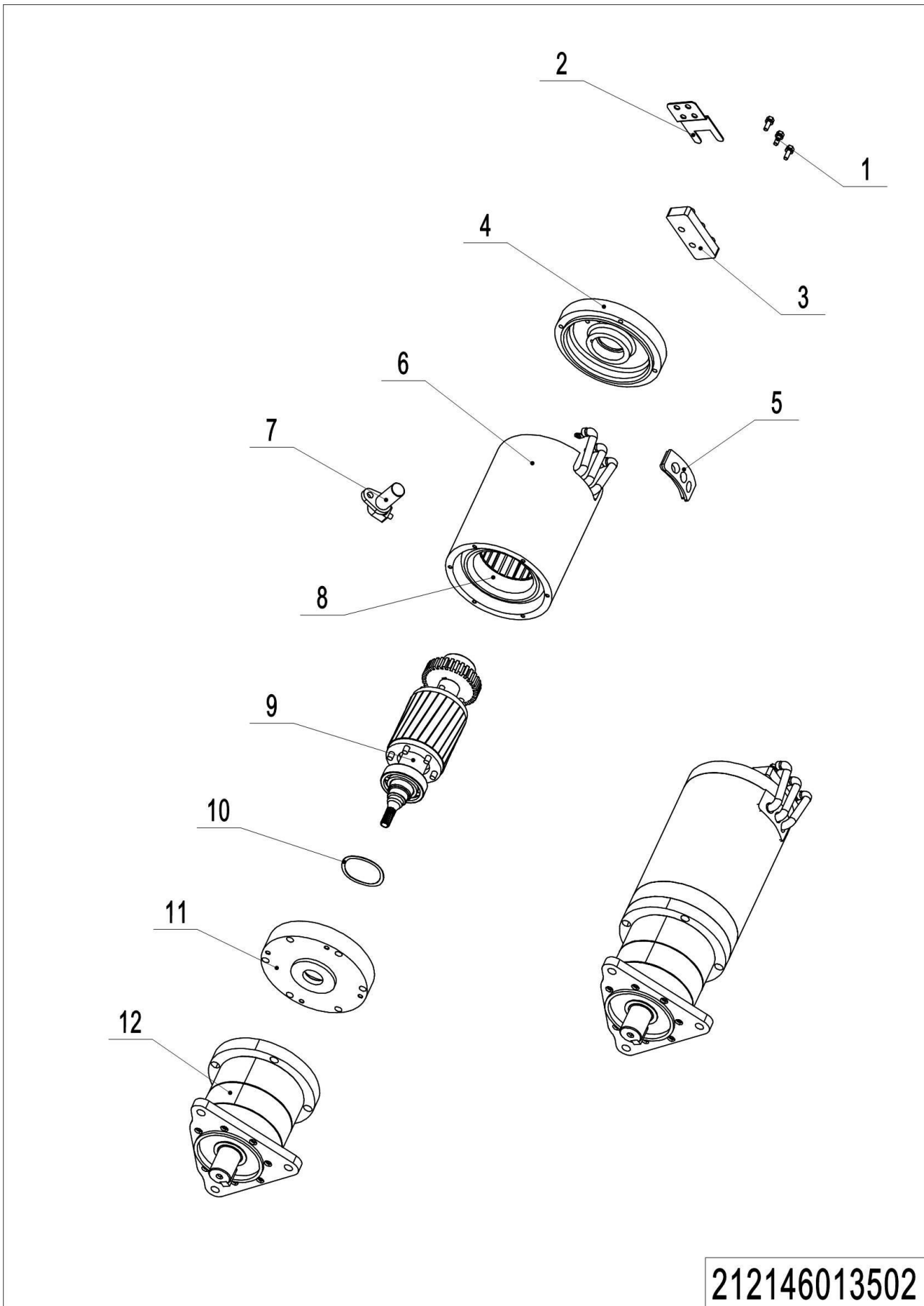
213146013551

1= Supply as package. 2= Supply with constraints. 3= Phasing-out supply. 4= Supply as assembly. 5= Check other tables.

02 Drive Unit (EN1175-2020) (213146013551) Continuation 1

No.	Item Code	Mark	Item Description	Qty.	Substitute	Note
20	940300400041		Wheel Φ 343x140	2		Stellana
20	940300400044		Wheel Φ 343x140	2		Stellana, Arc
20	940300400028		Wheel Φ 343x140	2		YuLin, Disable
21	940998520072		Nut	7		
22	940998520073		Spring Washer	7		
23	921800200029		Encoder	1		
24	910200200013		Screw	4		
25	212113520001		Mounting Plate	1		
26	910200200001		Bolt	3		
27	505931520002		Link Block	1		
28	910700200004		Bearing	2		
29	212113520000		Axle	1		
30	910600800004		Flat Key	1		
31	212113520002		Bracket	1		
32	910401300017		Circlip	1		
33	212113520005		Press Plate	1		
34	212113520008		Gear	1		
35	910600100045		Cylindrical Pin	1		
36	212113520006		Spring	1		
37	212113520007		Gear	1		
38	212113520004		Press Plate	1		
39	910400500005		Spring Washer	1		
40	910200200036		Screw	1		

03 Steering Motor (212146013502)

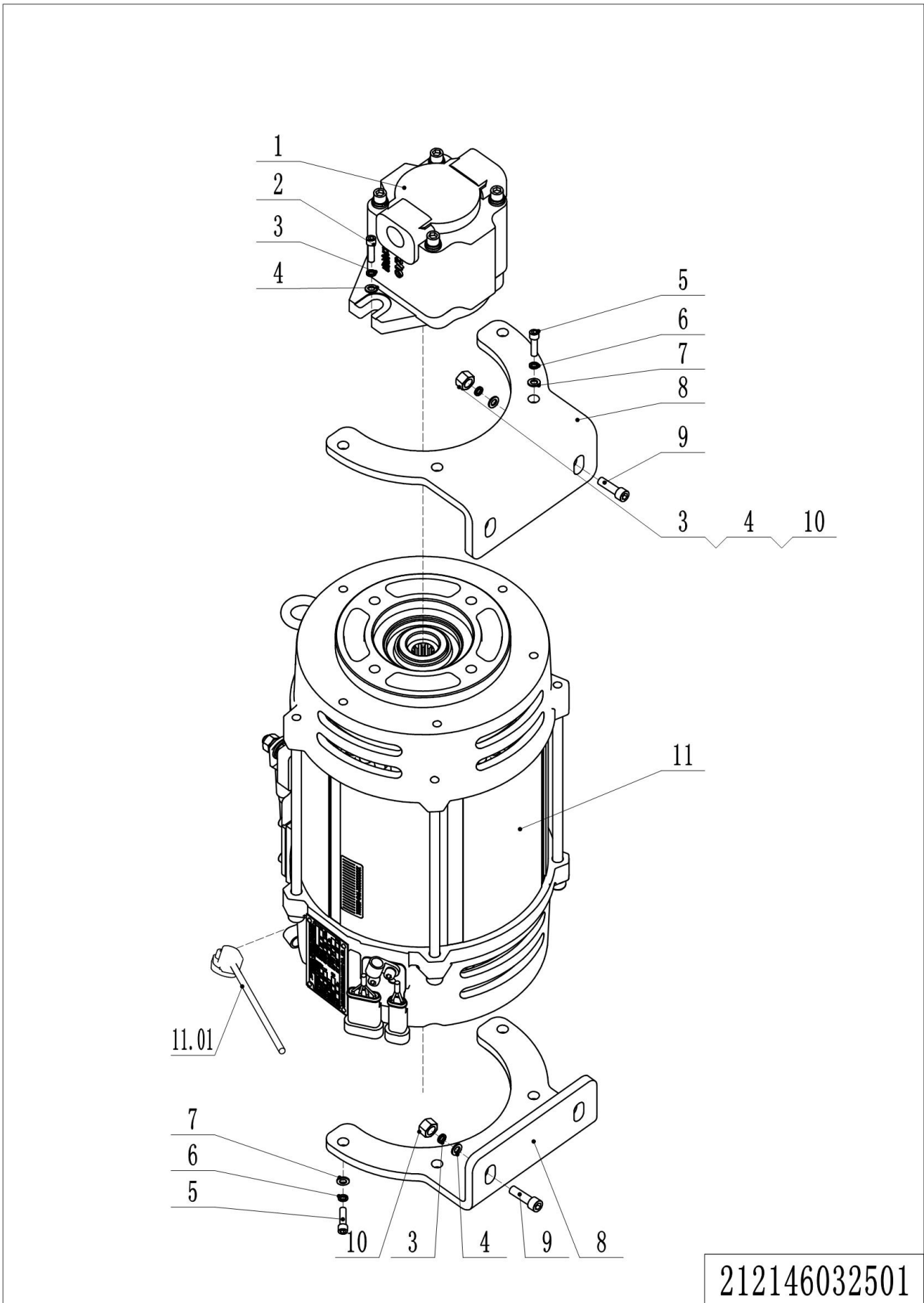


1= Supply as package. 2= Supply with constraints. 3= Phasing-out supply. 4= Supply as assembly. 5= Check other tables.

03 Steering Motor (212146013502)

No.	Item Code	Mark	Item Description	Qty.	Substitute	Note
1	213398520115		Bolt	3		Assembly: 940900800005
2	213398520056		Fixing Plate	1		Assembly: 940900800005
3	213398520113		Terminal	1		Assembly: 940900800005
4	213398520051		Cover	1		Assembly: 940900800005
5	213398520052		Rubber	1		Assembly: 940900800005
6	213398520049		Housing	1		Assembly: 940900800005
7	921800200049		Encoder	1		Assembly: 940900800005
8	213398520059		Stator	1		Assembly: 940900800005
9	213398520116		Rotor Unit	1		Assembly: 940900800005
10	213398520062		Wave Washers	1		Assembly: 940900800005
11	213398520114		Cover	1		Assembly: 940900800005
12	213398520055		Gearbox	1		Assembly: 940900800005

04 Lift Unit (212146032501)



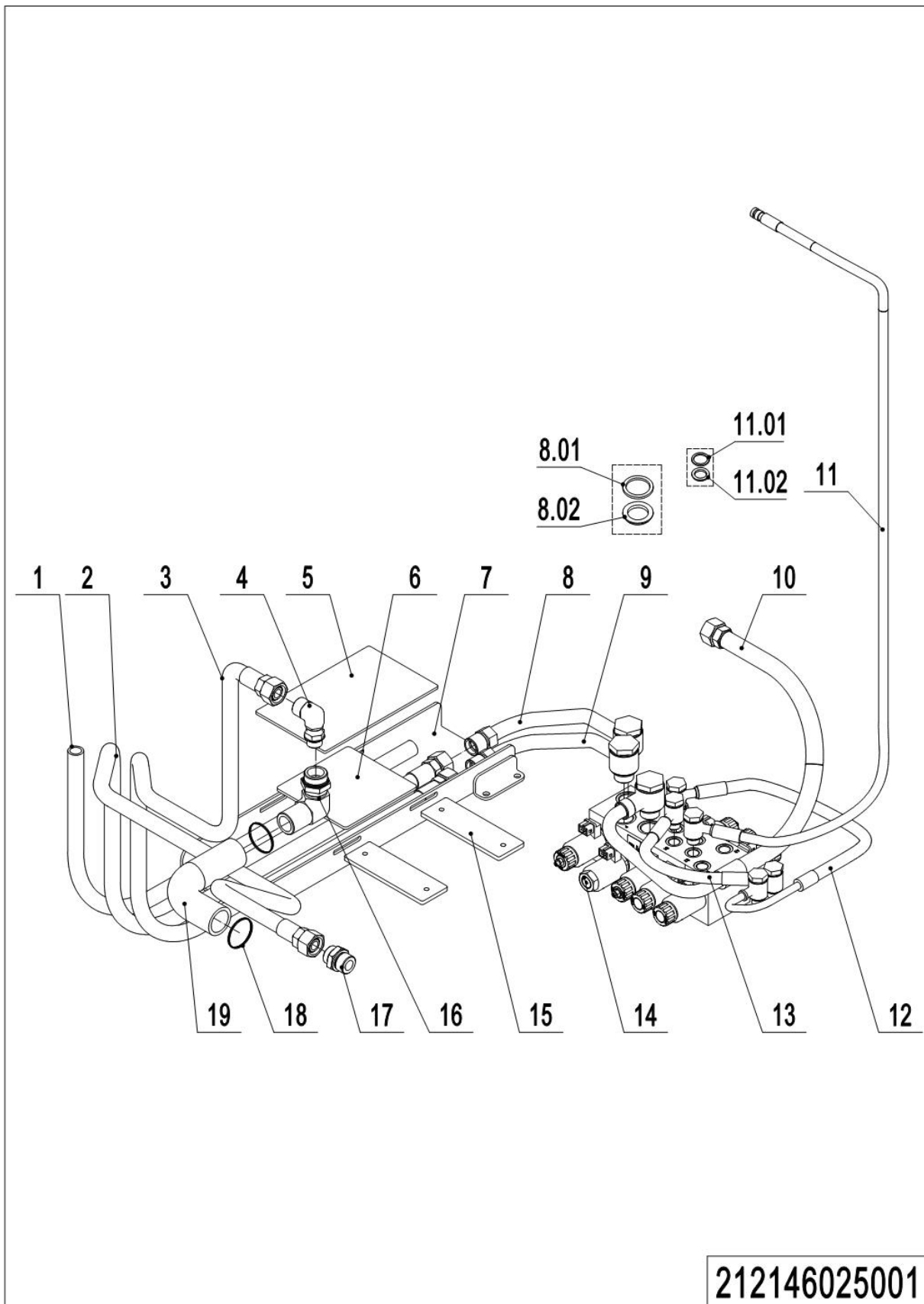
1= Supply as package. 2= Supply with constraints. 3= Phasing-out supply. 4= Supply as assembly. 5= Check other tables.

04 Lift Unit (212146032501)

No.	Item Code	Mark	Item Description	Qty.	Substitute	Note
1	950800200008		Gear Pump	1		
2	910200200077	1	Screw	2		
3	910400500007	1	Spring Washer	6		
4	910400100007	1	Flat Washer	6		
5	910200200057	1	Screw	8		
6	910400500006	1	Spring Washer	8		
7	910400100006	1	Flat Washer	8		
8	212132520000		Mounting Plate	2		
9	910200200079	1	Screw	4		
10	910300100007	1	Nut	4		
11	920900100027		Motor	1		KDS
11	920900100126		Motor	1		WN
11	920900100156		Motor	1		KDS-20kw
11.01	921800200013		Encoder	1		KDS
11.01	921800200038		Encoder	1		WN

Chapter 2: Hydraulic System

01 Hydraulic Assembly (212146025001)

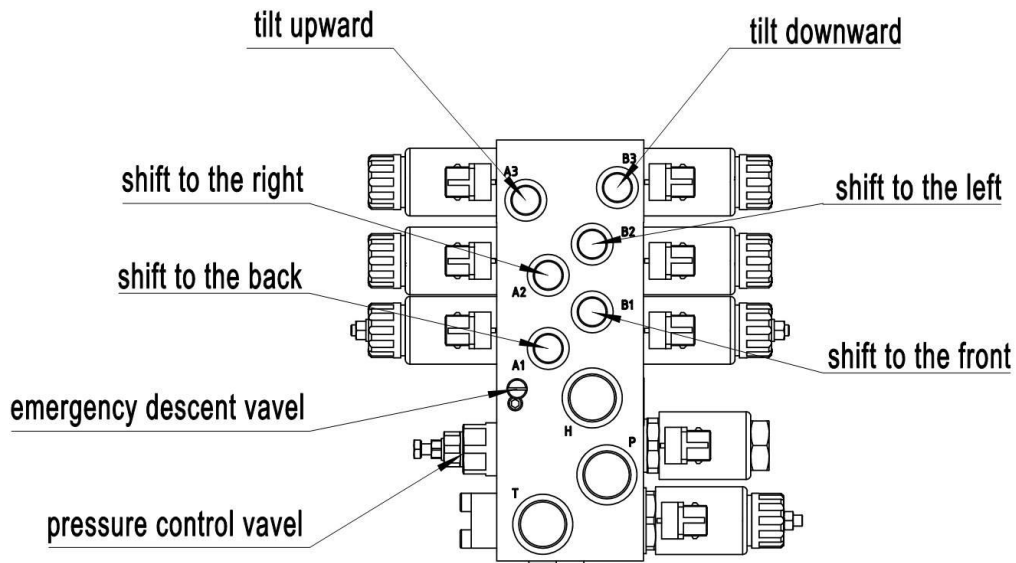
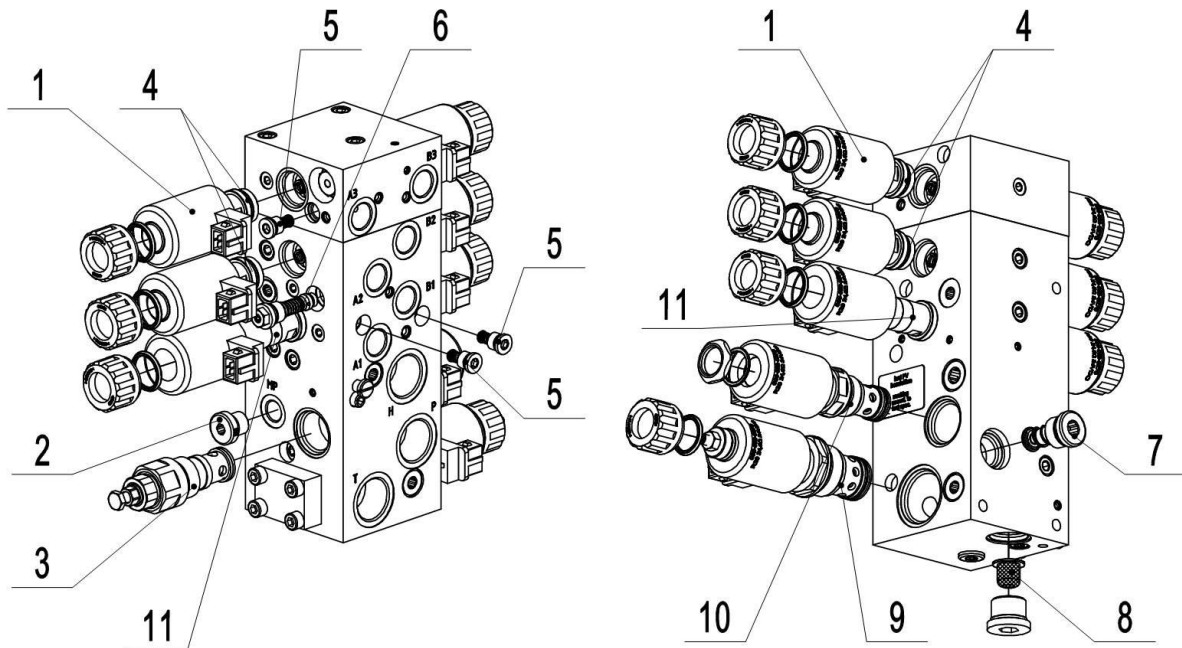


1= Supply as package. 2= Supply with constraints. 3= Phasing-out supply. 4= Supply as assembly. 5= Check other tables.

01 Hydraulic Assembly (212146025001)

No.	Item Code	Mark	Item Description	Qty.	Substitute	Note
1	212125020014		Hose	1		
2	212125020012		Hose	1		
3	212125020013		Hose	1		
4	950401100005		Joint	1		
5	212125020010		Press Plate	1		
6	212125020011		Plate	1		
7	212125010000		Guide Slot	1		
8	212125020005		Steel Tube	1		
8.01	910800900008		Washer	3		
8.02	910800900016		Washer	3		
9	212125020006		Steel Tube	1		
10	212125020028		Hose	1		
11	212125020015		Hose	4		4500
11	212125020026		Hose	4		5000
11	212125020027		Hose	4		5500
11	212125020018		Hose	4		6000
11	212125020019		Hose	4		6500
11	212125020020		Hose	4		7000
11	212125020021		Hose	4		7500
11	212125020022		Hose	4		8000
11	212125020023		Hose	4		8500
11	212125020024		Hose	4		9000
11	212125020025		Hose	4		9500
11.01	910800900005		Washer	8		
11.02	910800900015		Washer	8		
12	212125020016		Hose	1		
13	212125020004		Hose	1		
14	950600100023		Hydraulic Valve	1		See 213146025503
15	212125020030		Press Plate	1		
16	216525020008		Adapter	1		
17	950400300016		Joint	1		
18	911000600006		Hose Clamp	2		
19	950401100005		Joint	1		

02 Hydraulic Distributor (213146025503)



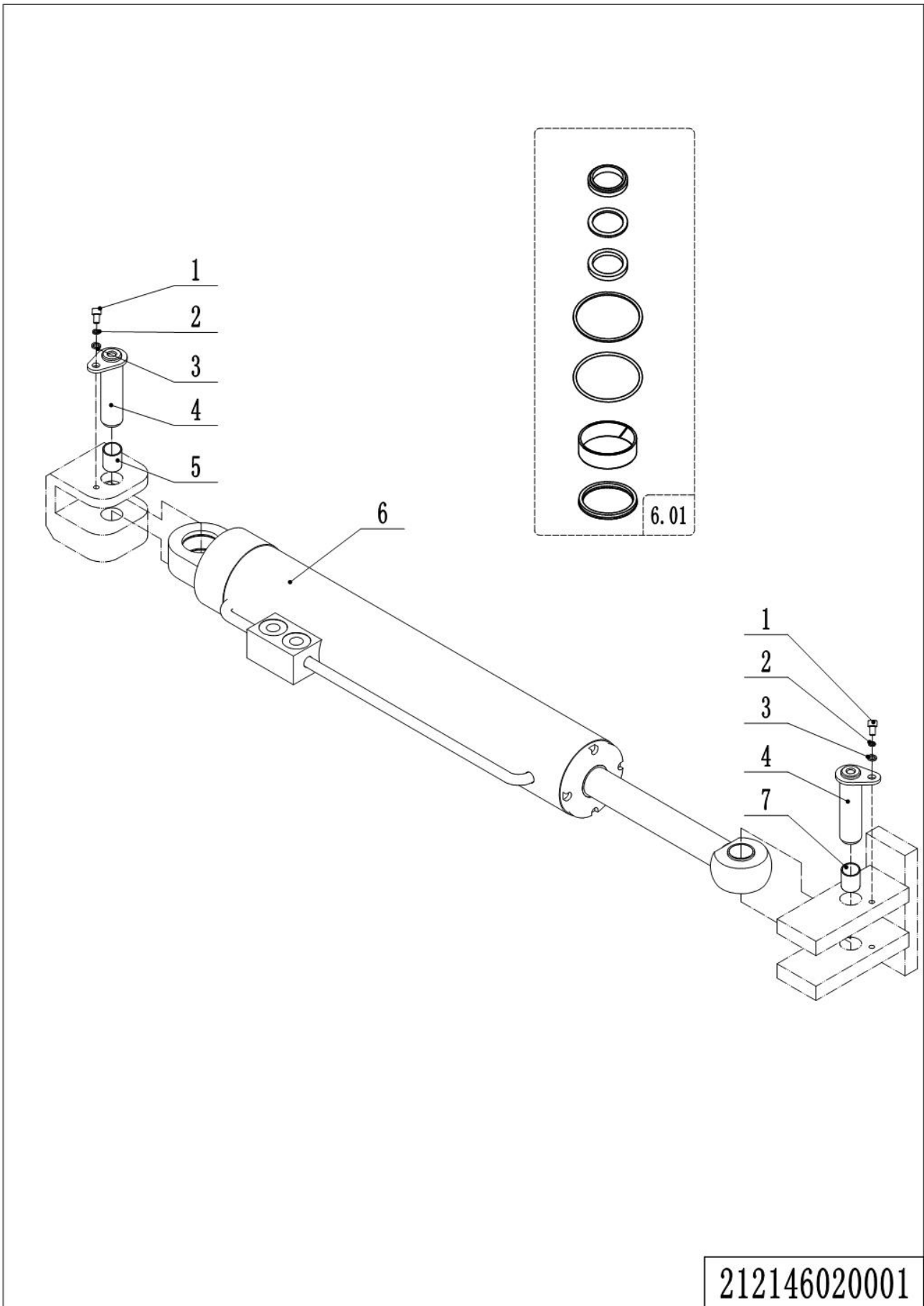
213146025503

1= Supply as package. 2= Supply with constraints. 3= Phasing-out supply. 4= Supply as assembly. 5= Check other tables.

02 Hydraulic Distributor (213146025503)

No.	Item Code	Mark	Item Description	Qty.	Substitute	Note
1	212198520213		Solenoid Coil	8		Assembly: 950600100023
2	212198520219		Screw Plug	1		Assembly: 950600100023
3	212198520214		Pressure Relief Valve	1		Assembly: 950600100023
4	212198520212		Solenoid Tube	4		Assembly: 950600100023
5	212198520215		Check Valve	3		Assembly: 950600100023
6	212198520217		Pressure Control Valve	1		Assembly: 950600100023
7	212198520216		Check Valve	1		Assembly: 950600100023
8	212198520218		Strainer	1		Assembly: 950600100023
9	212198520210		Throttle Valve	1		Assembly: 950600100023
10	212198520211		Piloted Poppet Valve	1		Assembly: 950600100023
11	212198520220		Solenoid Tube	2		Assembly: 950600100023
12	212198510210		Seal Kit	62		Assembly: 950600100023

03 Reach Cylinder (212146020001)



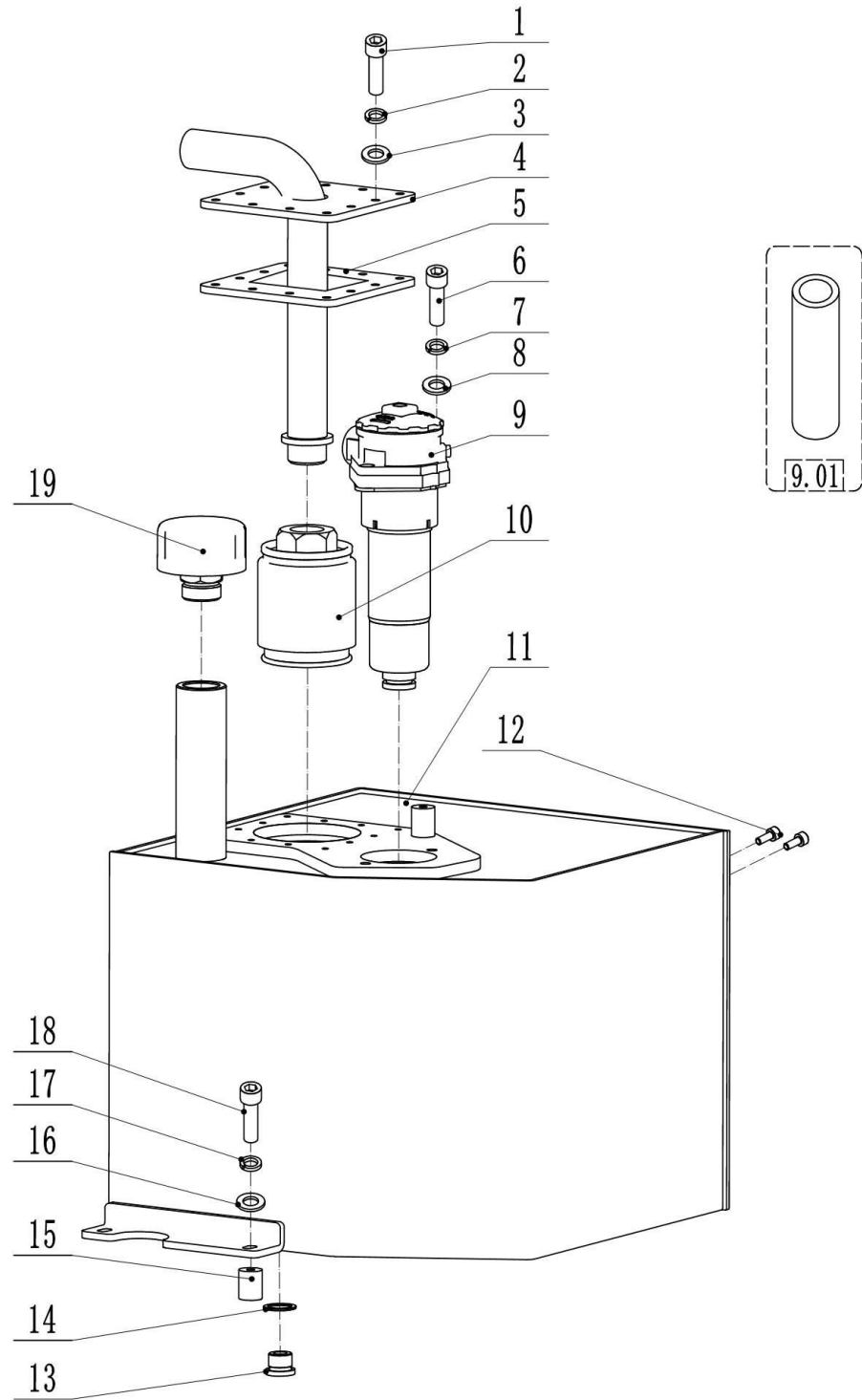
212146020001

1= Supply as package. 2= Supply with constraints. 3= Phasing-out supply. 4= Supply as assembly. 5= Check other tables.

03 Reach Cylinder (212146020001)

No.	Item Code	Mark	Item Description	Qty.	Substitute	Note
1	910200200034	1	Screw	2		
2	910400500005	1	Spring Washer	2		
3	910400100005	1	Flat Washer	2		
4	212120010001		Pin	2		
5	212120020002		Bushing	1		
6	212120010000		Cylinder	1		420Ah / 277Ah
6	212120010010		Cylinder	1		560Ah / 412Ah
6.01	212198510004		Seal Kit	1		JX
6.02	212198510023		Seal Kit	1		BB
7	212120020003		Bushing	1		

04 Oil Tank (212146019001)



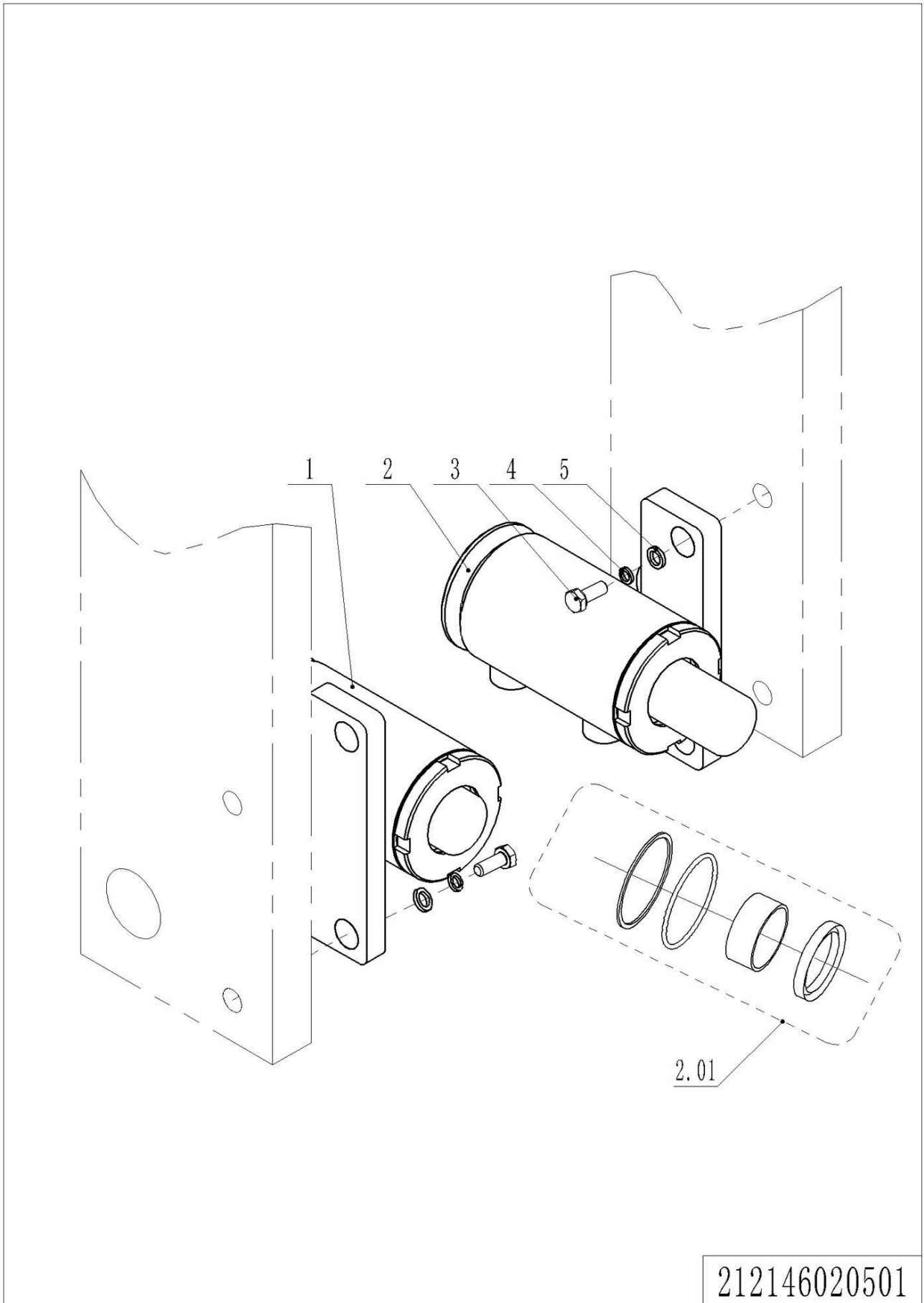
212146019001

1= Supply as package. 2= Supply with constraints. 3= Phasing-out supply. 4= Supply as assembly. 5= Check other tables.

04 Oil Tank (212146019001)

No.	Item Code	Mark	Item Description	Qty.	Substitute	Note
1	910200200035	1	Screw	12		
2	910400500005	1	Spring Washer	12		
3	910400100005	1	Flat Washer	12		
4	212119010001		Cap-Tank	1		
5	212119020000		Sealing Gasket	1		
6	910200200077	1	Screw	2		
7	910400500007	1	Spring Washer	2		
8	910400100007	1	Flat Washer	2		
9	951000300005		Filter	1		
9.01	212198520055		Cartridge	1		
10	951000400001		Filter	1		
11	212119010000		Tank	1		
12	910200200074	1	Screw	4		
13	255019020015		Filler Plug	1		
14	910800900001		Bonded Washer	1		
15	532621520062		Crash Pad	2		
16	910400100006	1	Flat Washer	3		
17	910400500006	1	Spring Washer	3		
18	910200200058	1	Screw	2		
19	212119020019		Screw Plug	1		

05 Tilt Cylinder (212146020501)



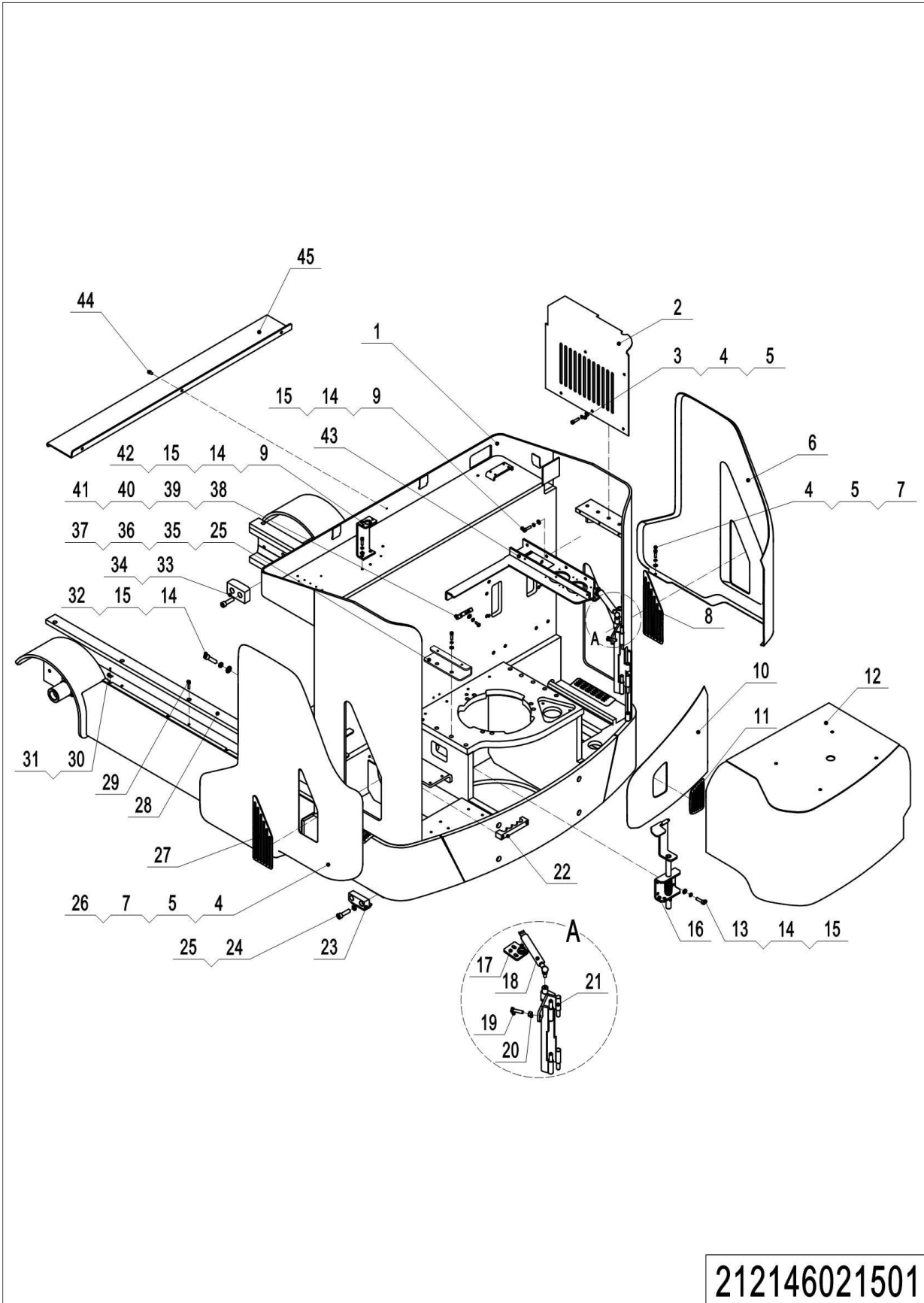
1= Supply as package. 2= Supply with constraints. 3= Phasing-out supply. 4= Supply as assembly. 5= Check other tables.

05 Tilt Cylinder (212146020501)

No.	Item Code	Mark	Item Description	Qty.	Substitute	Note
1	214120510001		Tilt Cylinder	1		
2	214120510000		Tilt Cylinder	1		
2.01	212198510000		Seal Kit	2		JX
2.02	212198510020		Seal Kit	2		BB
3	910100300063	1	Bolt	4		
4	910400500009	1	Spring Washer	4		
5	910400100009	1	Flat Washer	4		

Chapter 3: Truck Frame

01 Chassis (212146021501)



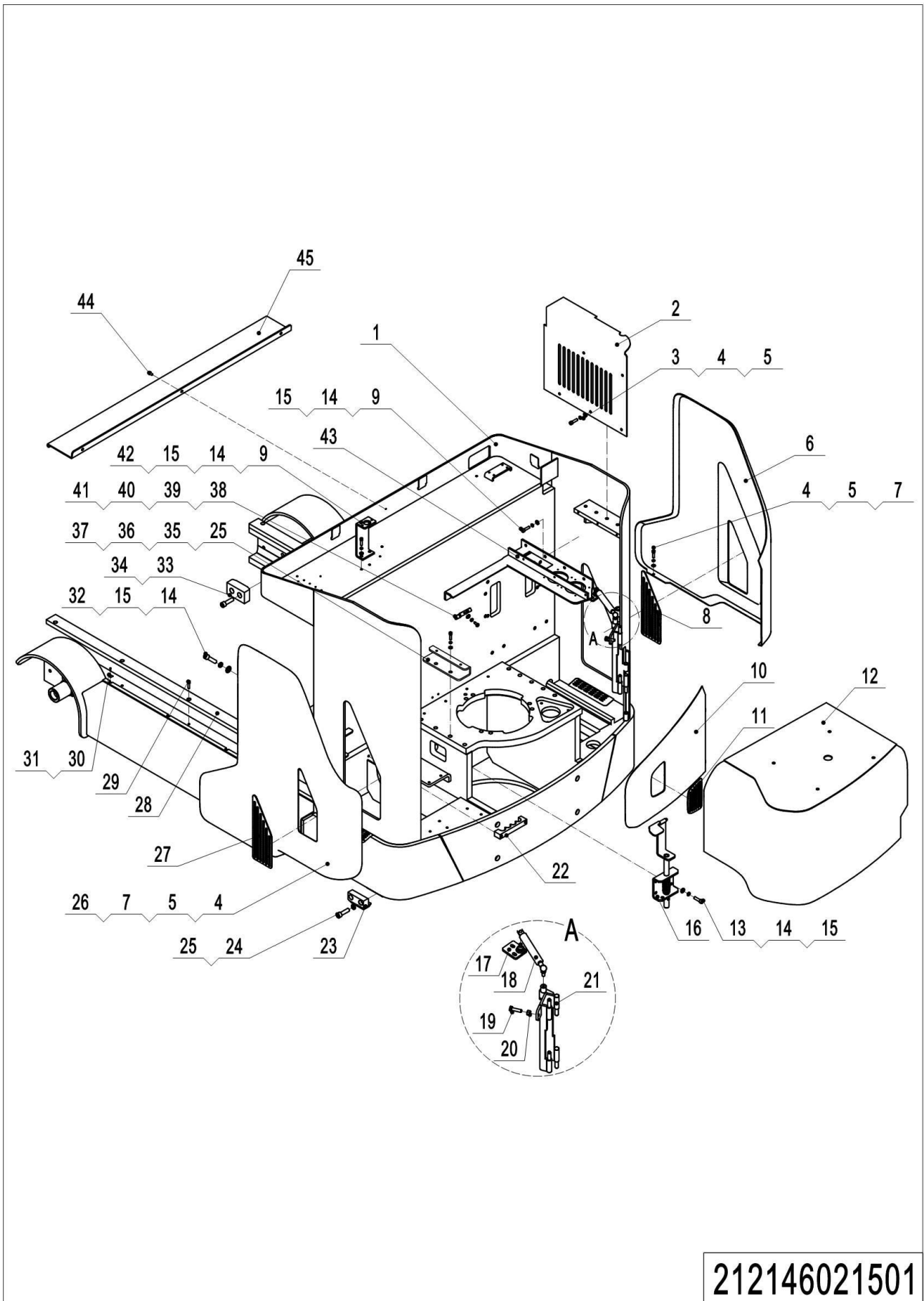
212146021501

1= Supply as package. 2= Supply with constraints. 3= Phasing-out supply. 4= Supply as assembly. 5= Check other tables.

01 Chassis (212146021501)

No.	Item Code	Mark	Item Description	Qty.	Substitute	Note
1	212121510000		Chassis	1		
2	212121510005		Cover	1		
3	910200300017	1	Screw M6x12	6		
4	910400500005	1	Spring Washer	14		
5	910400100005	1	Flat Washer	14		
6	212121520092		Side Plate (right)	1		
7	910200200036	1	Screw M6x20	10		
8	212121520101		Vent	1		
9	910200200055	1	Screw M8x16	6		
10	212121520091		Cover	1		
11	212121520102		Vent	1		
12	212121510009		Cover	1		
13	910200200060	1	Screw M8x35	4		
14	910400500006	1	Spring Washer	12		
15	910400100006	1	Flat Washer	12		
16	212121501001		Handle Assembly	1		See 212146021502
17	212121510008		Fixing Base	1		
18	212121520048		Gas Spring	1		
19	910100300024	1	Screw M8x30	1		
20	910300100006	1	Nut M8	1		
21	212121510002		Hinge	1		
22	212121520064		Fixing Plate	1		
23	212121520068		Support Leg	2		
24	910200200099	1	Screw M12x35	4		
25	910400500008	1	Spring Washer	6		
26	212121520093		Side Plate (left)	1		
27	212121520100		Vent	1		
28	212121520049		Guide Rail	2		
29	910200200058	1	ScrewM8x25	8		

01 Chassis (212146021501) Continuation 1



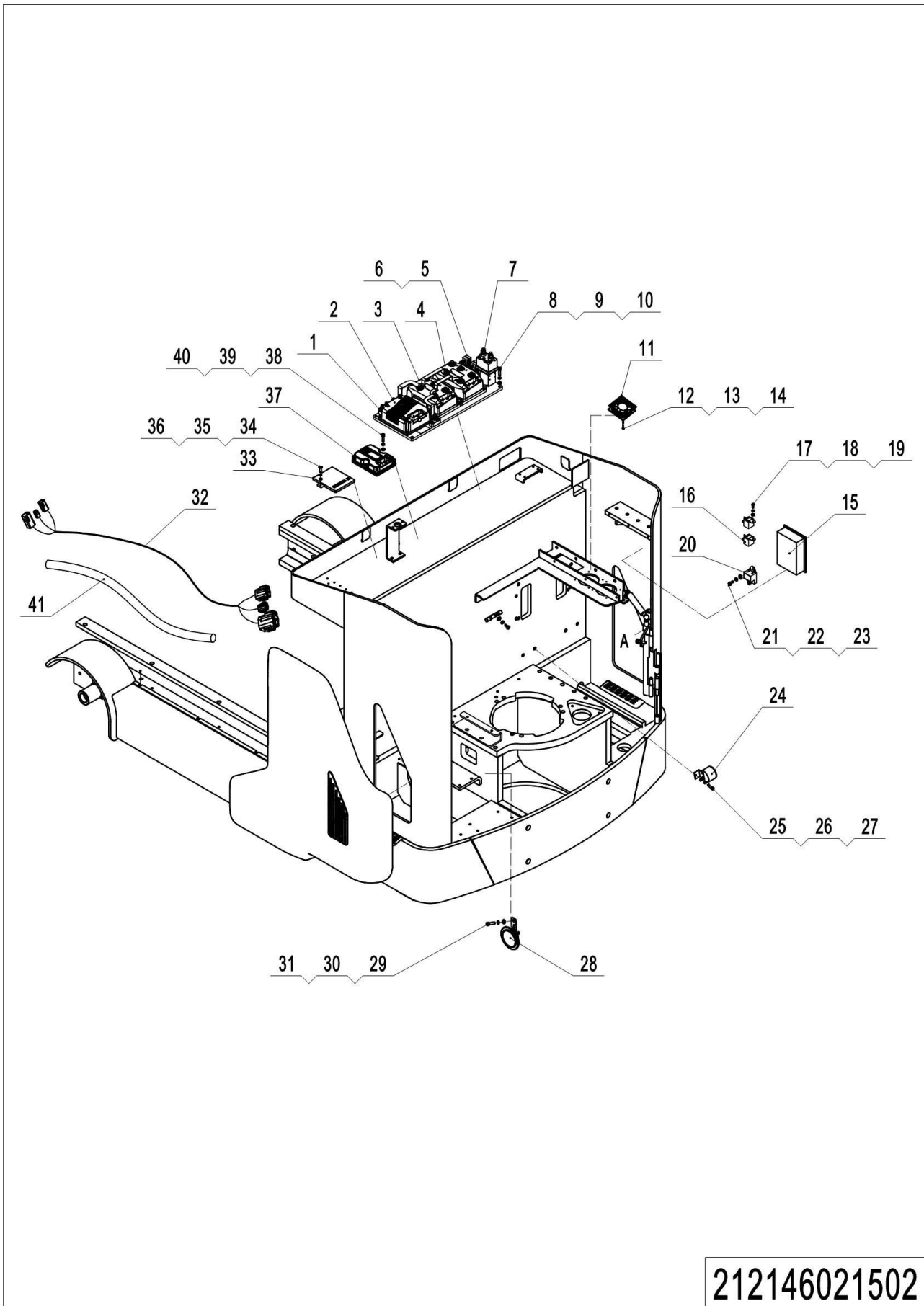
212146021501

1= Supply as package. 2= Supply with constraints. 3= Phasing-out supply. 4= Supply as assembly. 5= Check other tables.

01 Chassis (212146021501) Continuation 1

No.	Item Code	Mark	Item Description	Qty.	Substitute	Note
30	212121520075		Press Plate	8		
31	910200300011	1	Screw M5x10	8		
32	910200200065	1	Screw M8x60	2		
33	216521520001		Crash Pad	2		
34	910200200098	1	Screw M12x30	4		
35	212121520047		Fixing Plate	1		
36	910100300096	1	Screw M12x60	2		
37	910400100008	1	Flat Washer	2		
38	921300300005		Holder	3		
39	910200500037	1	Screw M5x10	6		
40	910400500004	1	Spring Washer	6		
41	910400100004	1	Flat Washer	6		
42	212121520008		Fixing Plate	1		
43	212121510006		Fixing Plate	1		
44	941100100001		Screw M8x12	3		
45	213121520011		Plate	1		560Ah

02 Chassis - Electrical (212146021502)

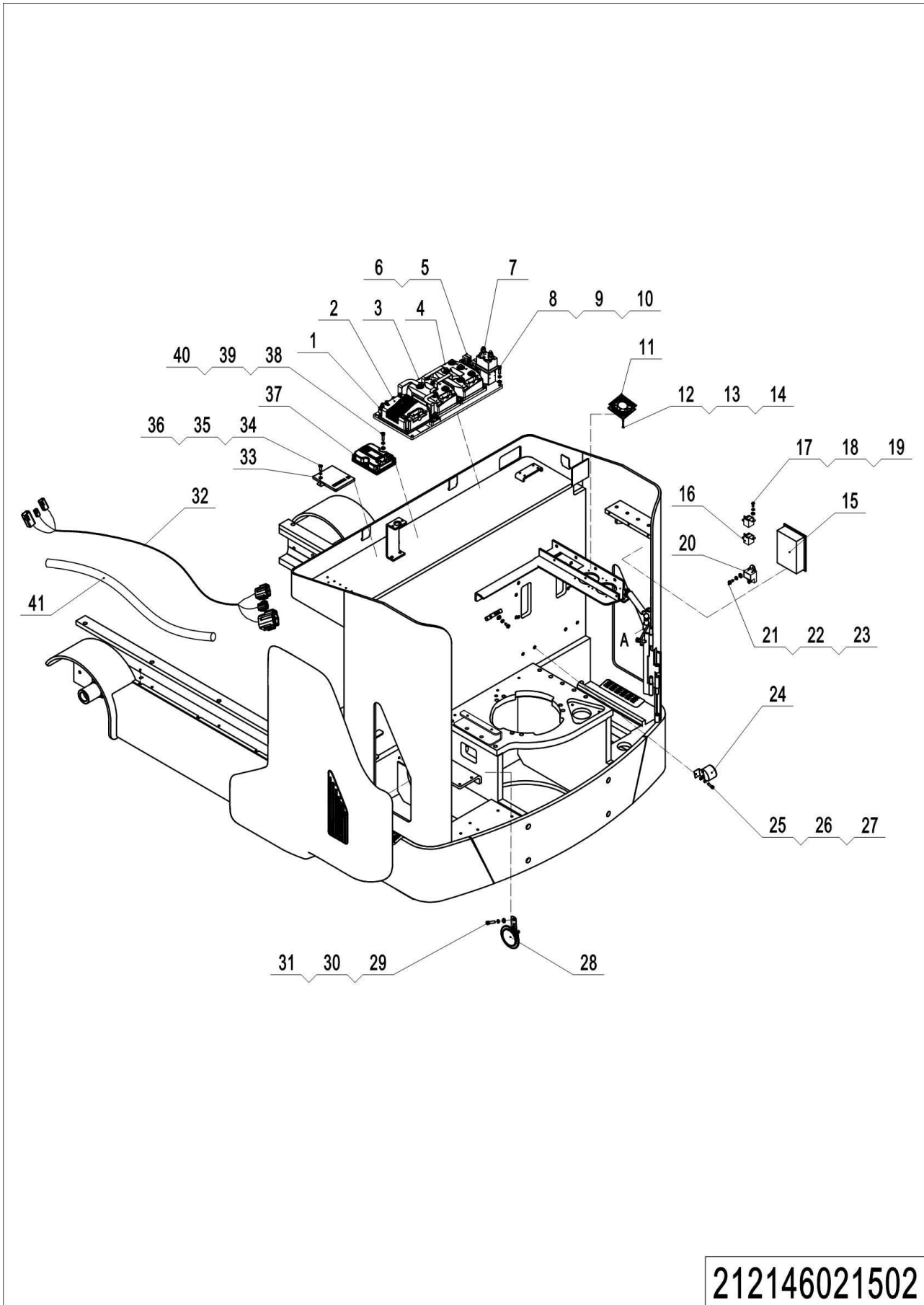


1= Supply as package. 2= Supply with constraints. 3= Phasing-out supply. 4= Supply as assembly. 5= Check other tables.

02 Chassis - Electrical (212146021502)

No.	Item Code	Mark	Item Description	Qty.	Substitute	Note
1	920100100014		Fuse 500A	1		
2	921400100004		Controller	1		Steering
3	921400100156		Controller	1		F4A-375(Regular)
3	921400100043		Controller	1		1232SE-5321
4	921400100156		Controller	1		F4A-375(Regular)
4	921400100043		Controller	1		1232SE-5321
4	921400100157		Controller	1		F4A-450(20kw)
5	920100400004		Fuse Holder	2		
6	920100200002		Fuse 10A	4		
7	920700100008		Contactactor	1		Regular
7	920700100005		Contactactor	1		20kw
8	910200200057		Screw M8x20	4		
9	910400500006		Spring Washer 8	4		
10	910400100006		Flat Washer 8	4		
11	212133510018		Fan	2		
12	910200500028	1	Screw M4x8	8		
13	910400500003	1	Spring Washer 4	8		
14	910400100003	1	Flat Washer 4	8		
15	921900100014		Contactactor	1		
16	920800100001		Relay	3		
17	910400500003		Screw M4x30	3		
18	910400100003		Spring Washer 4	3		
19	910200500034		Flat Washer 4	3		
20	922000100005		Flash	1		
21	910200500037	1	Screw M5x10	8		
22	910400500004	1	Spring Washer 5	8		
23	910400100004	1	Flat Washer 5	8		
24	920500100017		Horn	1		

02 Chassis - Electrical (212146021502) Continuation 1



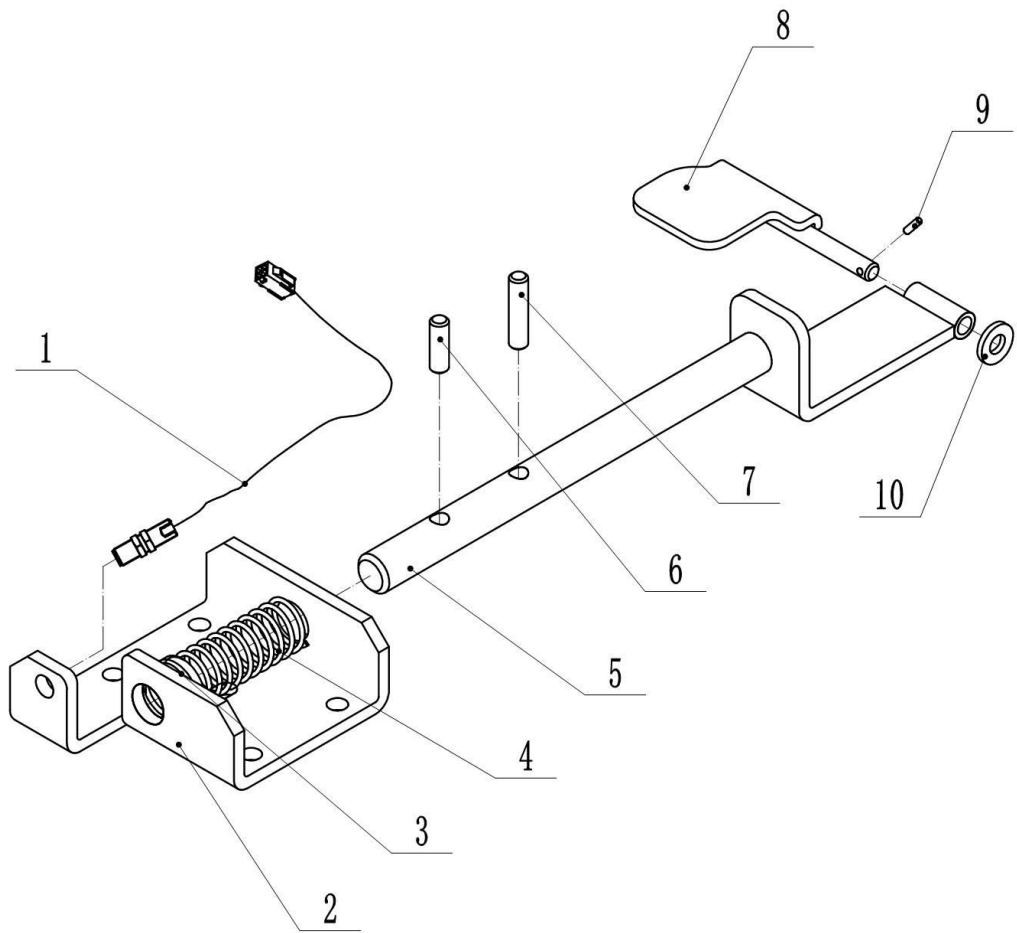
212146021502

1= Supply as package. 2= Supply with constraints. 3= Phasing-out supply. 4= Supply as assembly. 5= Check other tables.

02 Chassis - Electrical (212146021502) Continuation 1

No.	Item Code	Mark	Item Description	Qty.	Substitute	Note
25	910200200055	1	Screw M8x16	1		
26	910400500006	1	Spring Washer 8	1		
27	910400100006	1	Flat Washer 8	1		
28	920500100039		Horn	1		
29	910200200055	1	Screw M8x16	1		
30	910400500006	1	Spring Washer 8	1		
31	910400100006	1	Flat Washer 8	1		
31	212133010014		Wire Harness	1		
32	213133010024		Wire Harness	1		EN1175-2020
33	921400100115		Controller	1		1356P
34	910200500022	1	Screw M4x12	2		
35	910400500003	1	Spring Washer 4	2		
36	910400100003	1	Flat Washer 4	2		
37	921400100113		Controller	1		1353
37	921400100189		Controller	1		1351
38	910200200035	1	Screw M6x16	2		
39	910400500005	1	Spring Washer 6	2		
40	910400100005	1	Flat Washer 6	2		
41	212125020014		Hose	1		

03 Handle Assembly (212146021503)



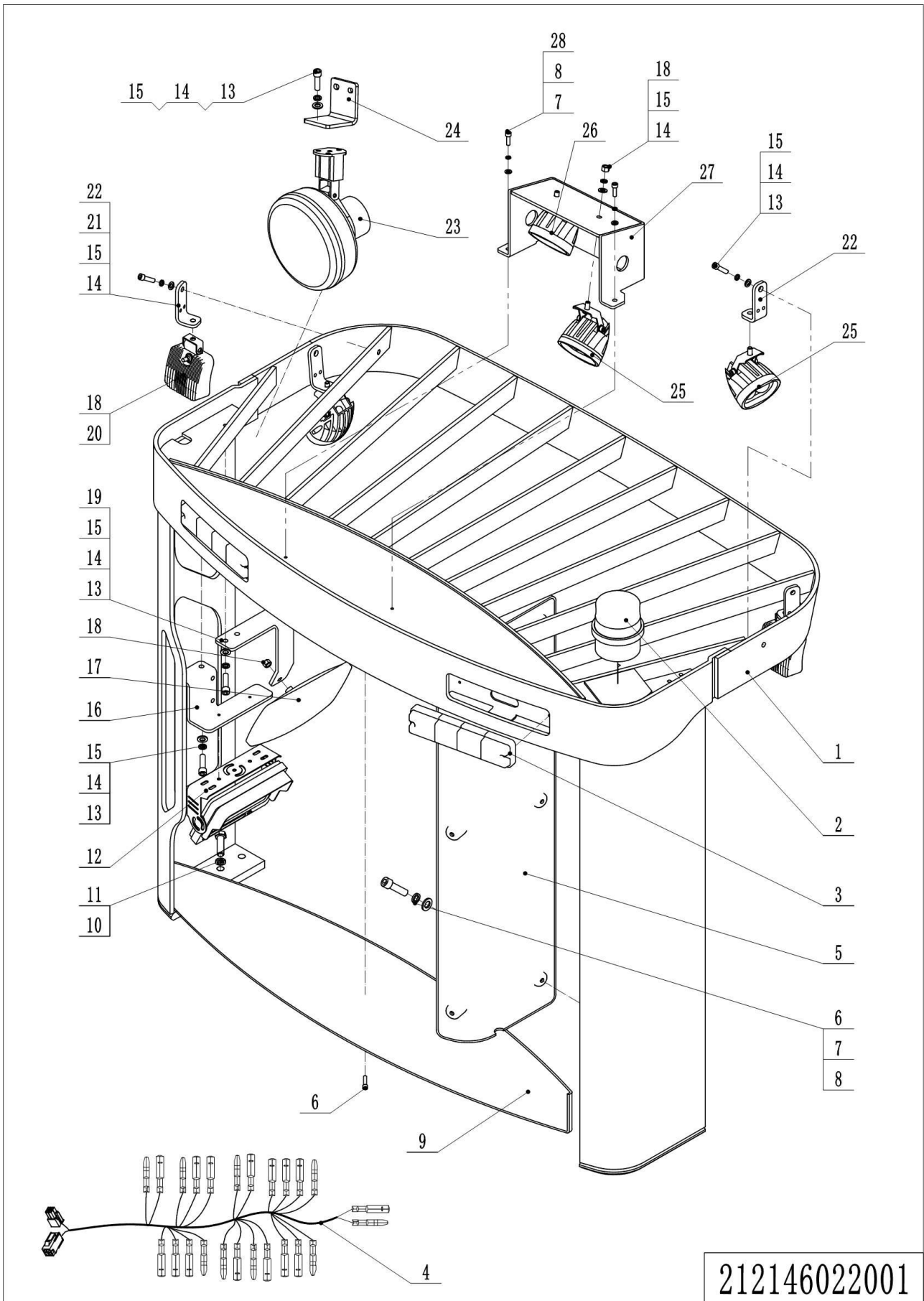
212146021503

1= Supply as package. 2= Supply with constraints. 3= Phasing-out supply. 4= Supply as assembly. 5= Check other tables.

03 Handle Assembly (212146021503)

No.	Item Code	Mark	Item Description	Qty.	Substitute	Note
1	212133510007		Proximity Switch	1		4mm
1	212133510023		Proximity Switch	1		8mm
2	212121520050		Fixing Plate	1		
3	212121520052		Washer	1		
4	212121520051		Spring	1		
5	212121510004		Axle	1		
6	910600400044	1	Spring Pin	1		
7	910600400046	1	Spring Pin	1		
8	212121510003		Bolt	1		
9	910600400002	1	Spring Pin	1		
10	910400100006	1	Flat Washer	1		

04 Overhead Guard (212146022001)

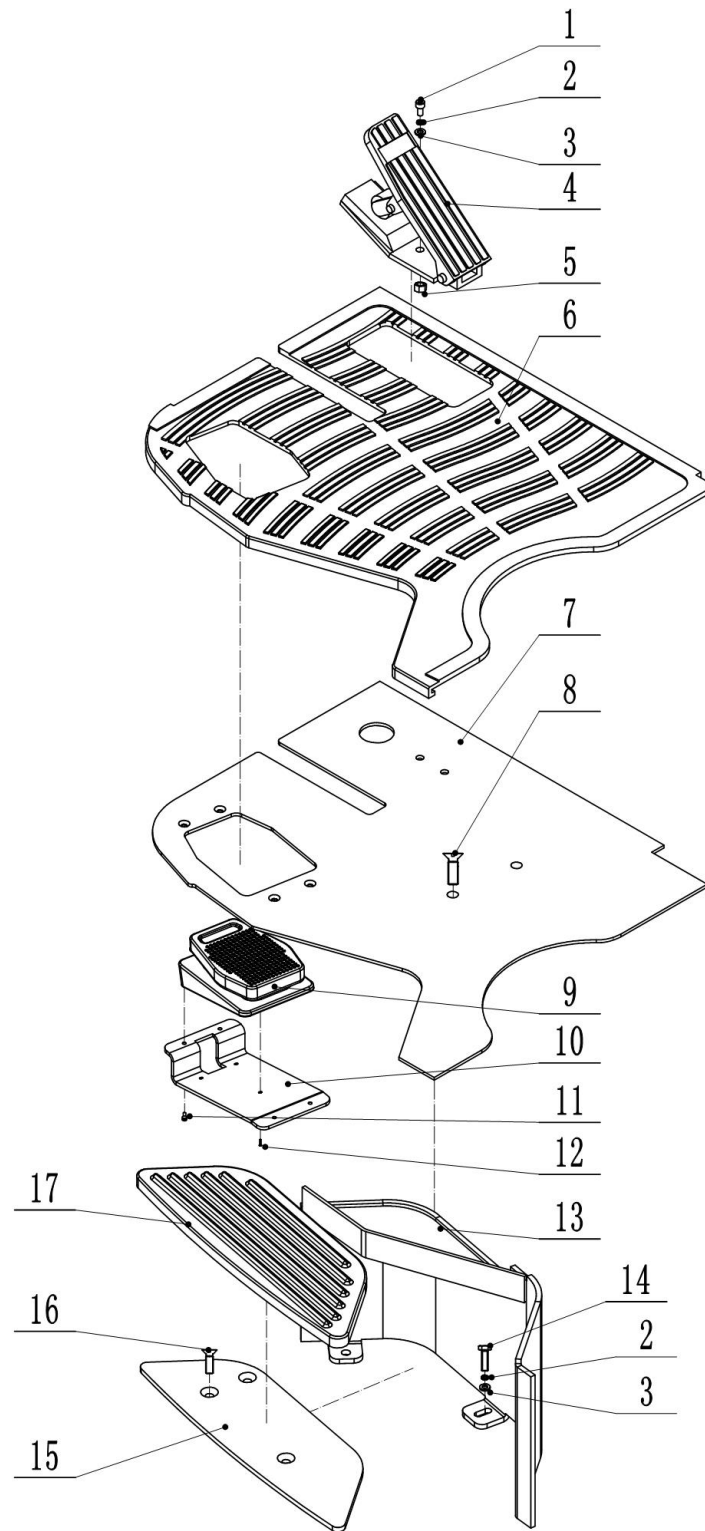


1= Supply as package. 2= Supply with constraints. 3= Phasing-out supply. 4= Supply as assembly. 5= Check other tables.

04 Overhead Guard (212146022001)

No.	Item Code	Mark	Item Description	Qty.	Substitute	Note
1	212122010001		Overhead Guard	1		
2	922000100051		Lamp	1		Warning light
3	922000100003		Lamp	2		Three color taillights
4	212133010013		Wire Harness	1		Regular
4.01	212133010054		Wire Harness	1		Blue light
4.02	213433040001		Wire Harness	1		Three side lights
4.03	213333010078		Wire Harness	1		Three side lights+rear blue light+fan
5	212122020021		Cover	1		
6	910200300017	1	Screw	6		
7	910400500005	1	Spring Washer	8		
8	910400100005	1	Flat Washer	8		
9	212122020020		Cover	1		
10	910200300037	1	Screw	8		
11	910400500008	1	Spring Washer	8		
12	921100100058	5	Display	1		
13	910200200055	1	Screw	8		
14	910400500006	1	Spring Washer	16		
15	910400100006	1	Flat Washer	16		
16	212122020018		Bolt	1		
17	940800100001		Rearview Mirror	1		
18	910300100006	1	Nut	5		
19	213322040005		Bracket	1		
20	922000100016		Lamp	2		Headlights
21	910200200058	1	Screw	4		
22	212122020023		Mounting Plate	2		
23	255022511015		Fan	1		
24	212122040023		Fixing Plate	1		
25	213433040009		Lamp	3		Straight red light
26	922000100049		Lamp	1		Dot blue light
27	213322030004		Cover	1		
28	910200200035	1	Screw M6x16	2		

05 Platform (212146018001)



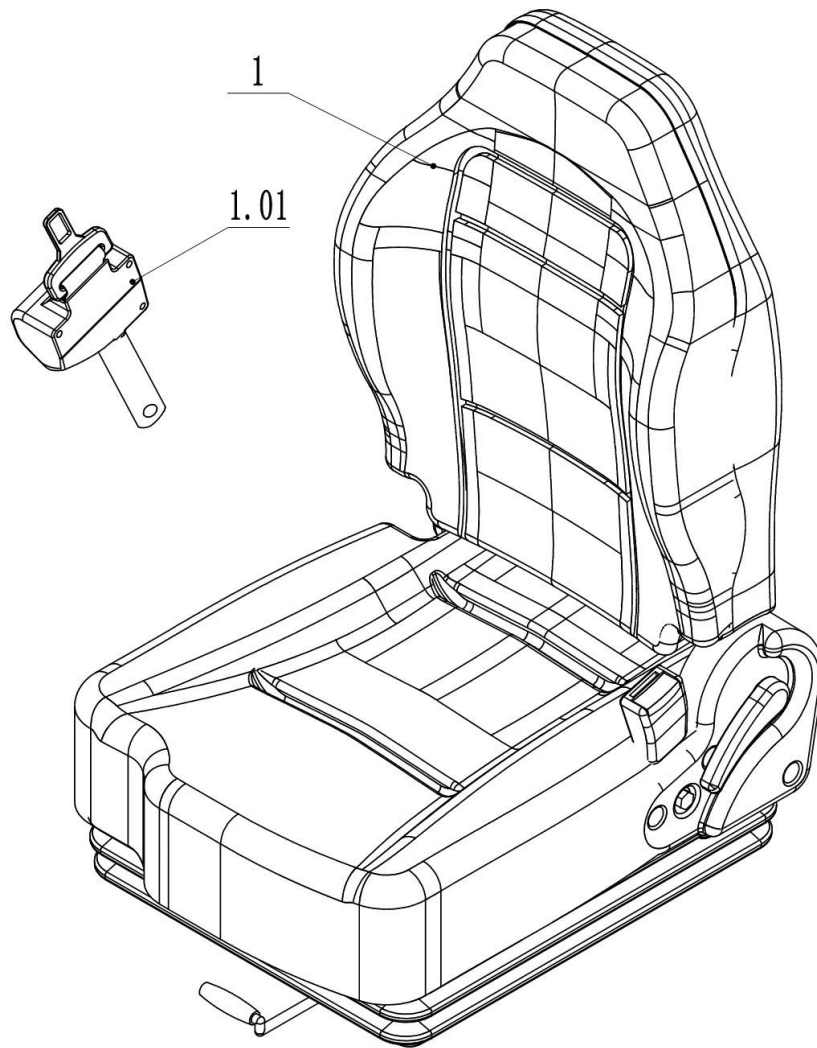
212146018001

1= Supply as package. 2= Supply with constraints. 3= Phasing-out supply. 4= Supply as assembly. 5= Check other tables.

05 Platform (212146018001)

No.	Item Code	Mark	Item Description	Qty.	Substitute	Note
1	910200200057	1	Screw	2		
2	910400100006	1	Flat Washer	4		
3	910400500006	1	Spring Washer	4		
4	921700100005		Accelerator	1		Single-Channel
4	921700100028		Accelerator	1		Dual-Channel
4	921700100036		Accelerator	1		Single-Channel,GF
5	910300100006	1	Nut	2		
6	212118020000		Mat	1		
7	212318020001		Platform	1		
8	910200400033	1	Screw	2		
9	212133510019		Foot Switch	1		
10	212118020008		Mounting Plate	1		
11	910200400009	1	Screw	4		
12	212198520048	1	Screw	3		
13	212118010000		Bracket	1		
14	910100300022	1	Bolt	2		
15	212118010001		Platform	1		
16	910200400026	1	Screw	3		
17	212118020002		Mat	1		

06 Seat (212146037501)



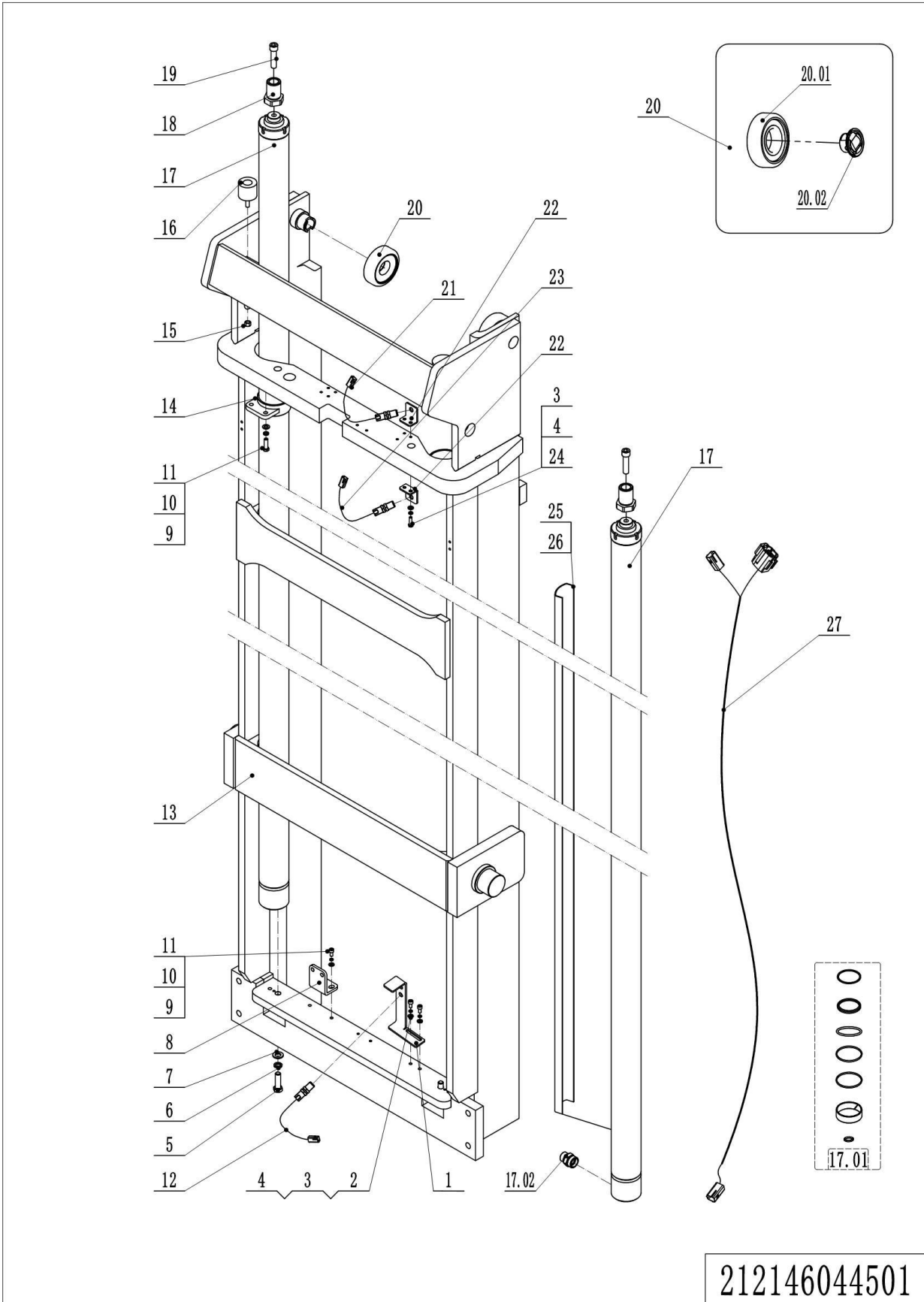
212146037501

06 Seat (212146037501)

No.	Item Code	Mark	Item Description	Qty.	Substitute	Note
1	213037510000		Seat	1		BF
1.01	213098510052		Safety Belt	1		
1	212137510001		Seat	1		KL
1.01	212198510009		Safety Belt	1		
1	212137510003		Seat	1		Glamor
1.01	212198510015		Safety Belt	1		

Chapter 4: Mast Structure

01 Outer Mast (212146044501)



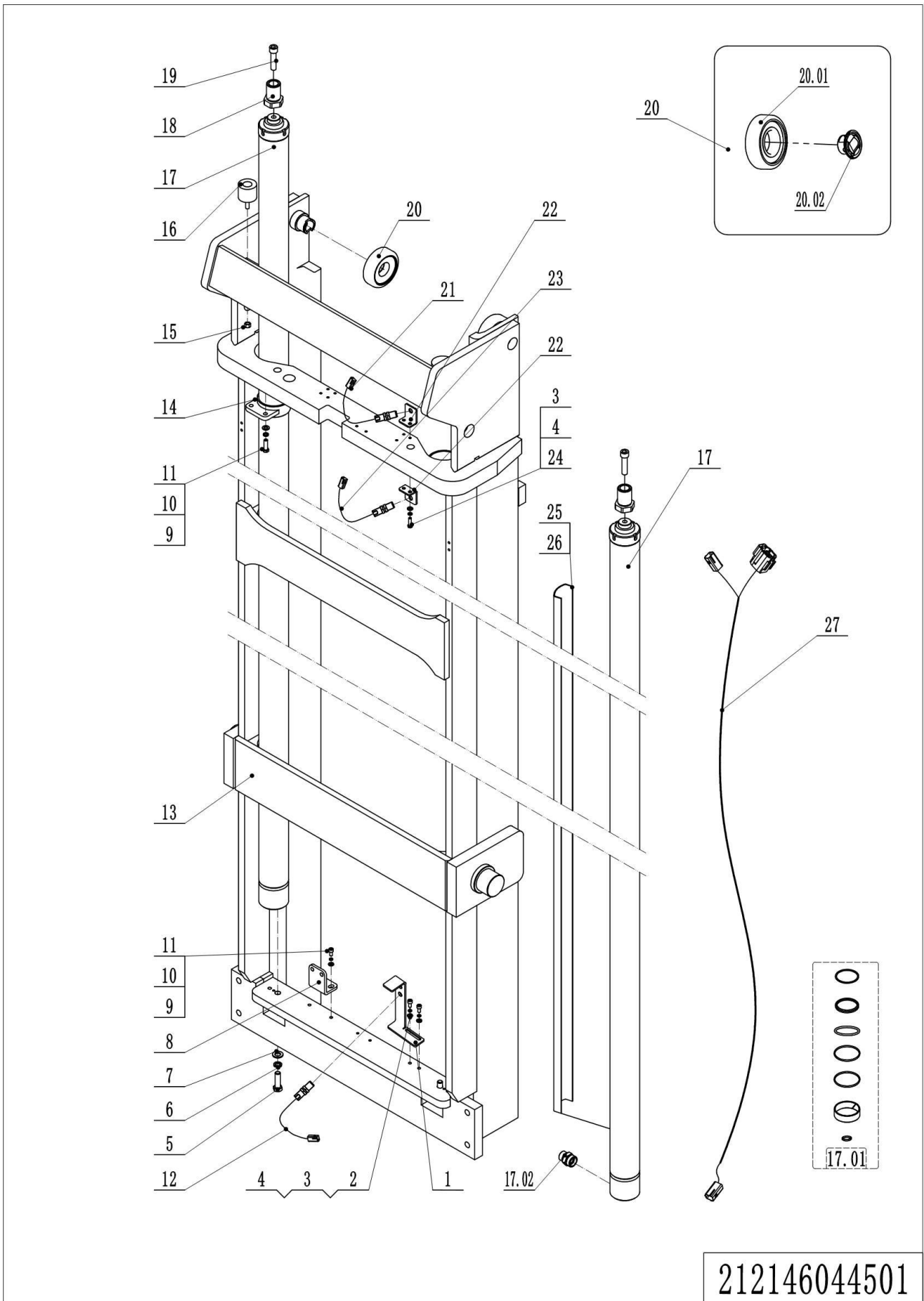
212146044501

1= Supply as package. 2= Supply with constraints. 3= Phasing-out supply. 4= Supply as assembly. 5= Check other tables.

01 Outer Mast (212146044501)

No.	Item Code	Mark	Item Description	Qty.	Substitute	Note
1	212144520297		Fixing Plate	1		
2	910200200033	1	Screw	2		
3	910400500005	1	Spring Washer	6		
4	910400100005	1	Flat Washer	6		
5	910100400012	1	Bolt	2		
6	910400500008	1	Spring Washer	2		
7	910400100008	1	Flat Washer	2		
8	212144520062		Fixing Plate	1		
9	910200200058	1	Screw	6		
10	910400500006	1	Spring Washer	6		
11	910400100006	1	Flat Washer	6		
12	212133510005		Proximity Switch	1		
13	212144510005		Outer Mast(4500)	1		4500
13	212144510006		Outer Mast(5000)	1		5000
13	212144510007		Outer Mast(5500)	1		5500
13	212144510008		Outer Mast(6000)	1		6000
13	212144510009		Outer Mast(6500)	1		6500
13	212144510010		Outer Mast(7000)	1		7000
13	212144510011		Outer Mast(7500)	1		7500
13	212144510012		Outer Mast(8000)	1		8000
13	212144510013		Outer Mast(8500)	1		8500
13	212144510014		Outer Mast(9000)	1		9000
13	212144510015		Outer Mast(9500)	1		9500
14	212144510048		Fixing Base	2		
15	910300500004	1	Nut	2		
16	212144520065		Crash Pad	2		
17	212144510055		Cylinder	2		4500
17	212144510056		Cylinder	2		5000
17	212144510057		Cylinder	2		5500
17	212144510058		Cylinder	2		6000

01 Outer Mast (212146044501) Continuation 1

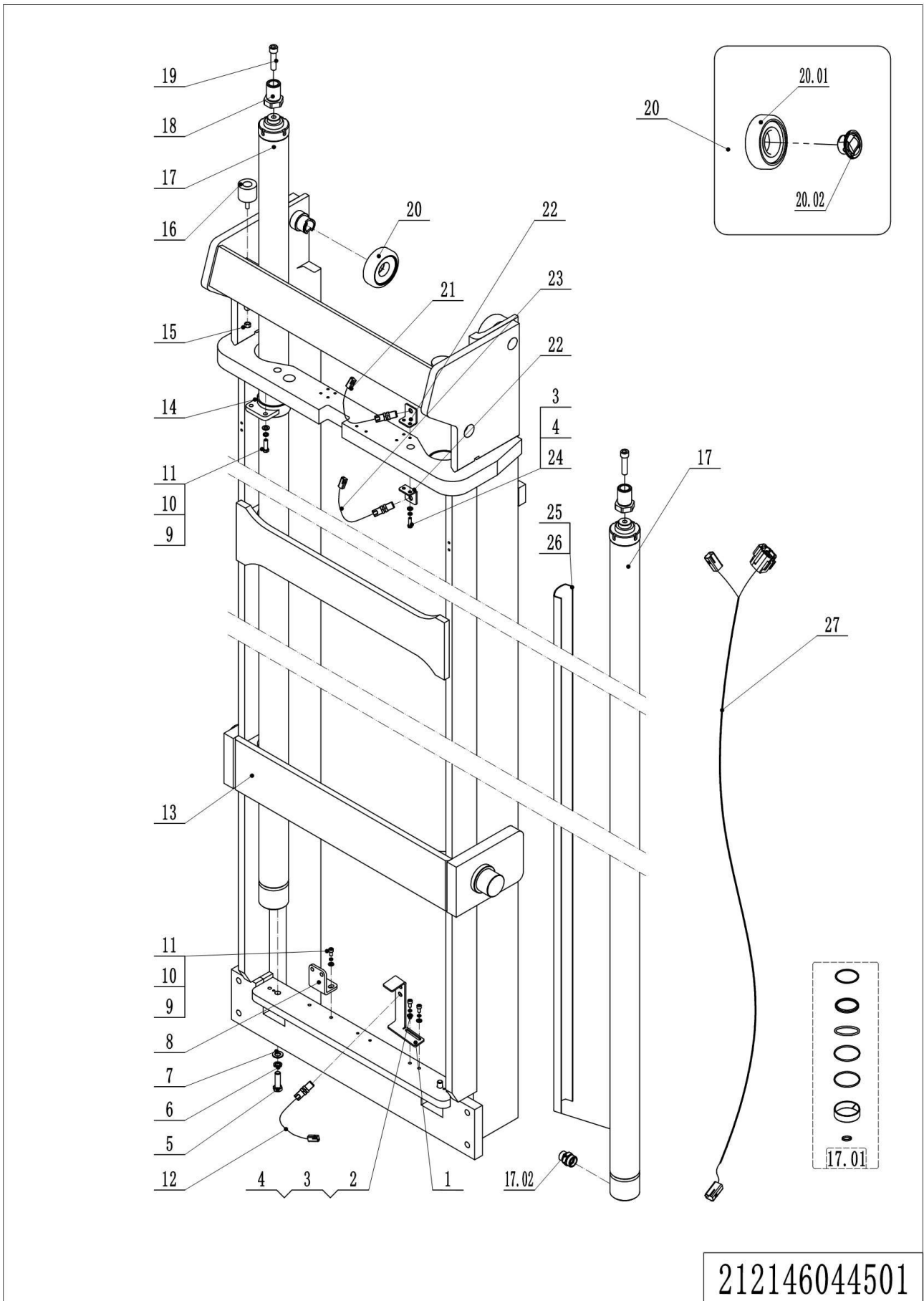


1= Supply as package. 2= Supply with constraints. 3= Phasing-out supply. 4= Supply as assembly. 5= Check other tables.

01 Outer Mast (212146044501) Continuation 1

No.	Item Code	Mark	Item Description	Qty.	Substitute	Note
17	212144510059		Cylinder	2		6500
17	212144510060		Cylinder	2		7000
17	212144510061		Cylinder	2		7500
17	212144510062		Cylinder	2		8000
17	212144510063		Cylinder	2		8500
17	212144510064		Cylinder	2		9000
17	212144510065		Cylinder	2		9500
17.01	212198510002		Seal Kit	1		JX
17.01	212198510021		Seal Kit	1		BB
17.02	212198520022		Anti-explosion Valve	1		
18	212144520060		Barrel	2		
19	910100300054	1	Bolt	2		
20	940200300052		Compound Roller	2		Φ 89.6, most used
20.01	940200100067		Main Roller	1		
20.02	940200900012		Side Roller	1		
20	940200300056		Compound Roller	2		Φ 89.2
20.01	940200100066		Main Roller	1		
20.02	940200900012		Side Roller	1		
20	940200300043		Compound Roller	2		Φ 90
20.01	940200100065		Main Roller	1		
20.02	940200900012		Side Roller	1		
21	212133510008		Proximity Switch	1		
22	212144520061		Fixing Plate	2		
23	212133510006		Proximity Switch	1		
24	910200500052	1	Screw	4		
25	212144520250		Shield	1		Several
25	212144520251		Shield	1		Several
25	212144520252		Shield	1		Several
25	212144520253		Shield	1		Several
25	212144520295		Shield	1		Several
26	911000600007		Hose Clamp	6		Several

01 Outer Mast (212146044501) Continuation 2

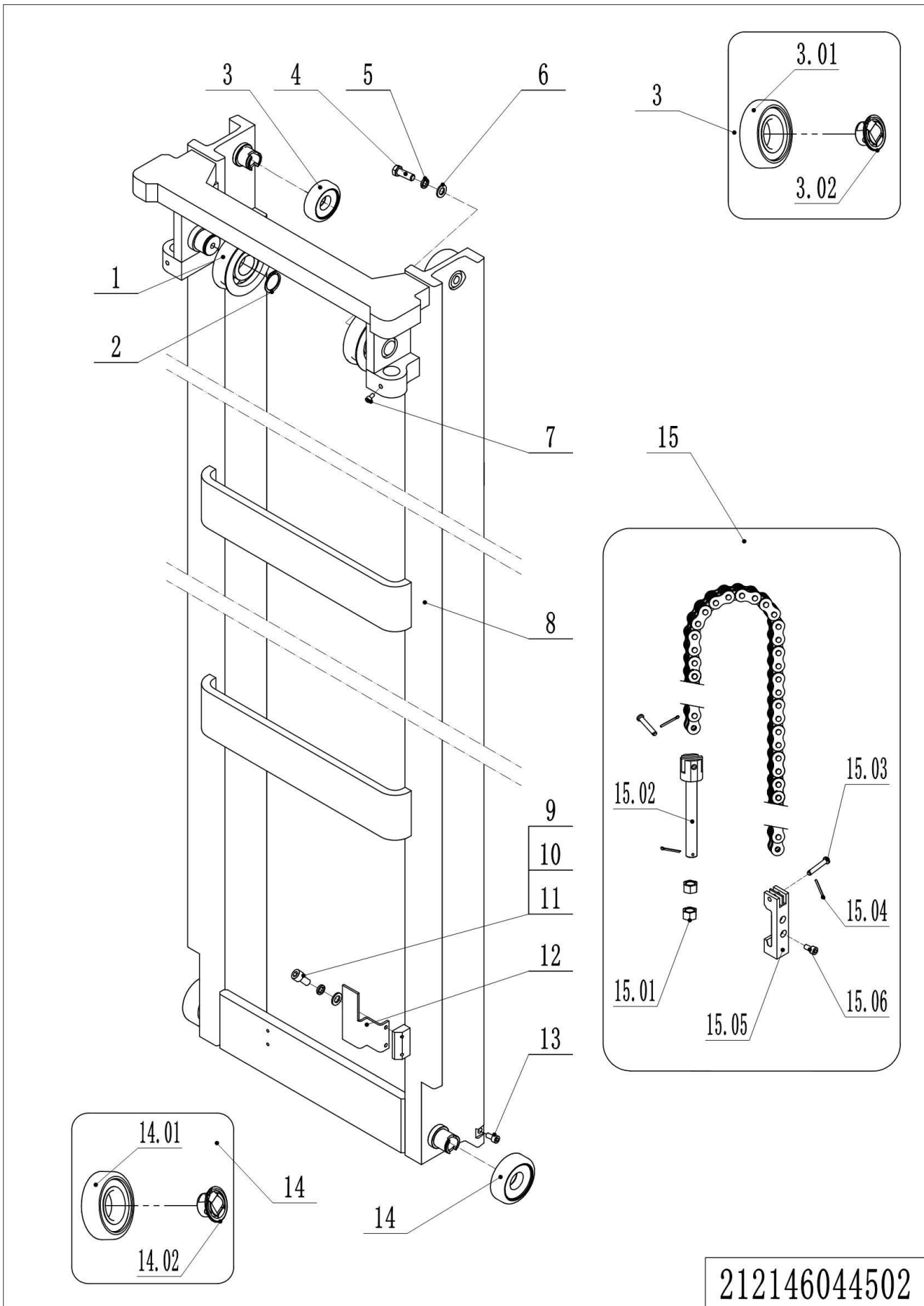


1= Supply as package. 2= Supply with constraints. 3= Phasing-out supply. 4= Supply as assembly. 5= Check other tables.

01 Outer Mast (212146044501) Continuation 2

No.	Item Code	Mark	Item Description	Qty.	Substitute	Note
27	212133010019		Wire Harness	1		4500
27	212133010020		Wire Harness	1		5000
27	212133010022		Wire Harness	1		5500
27	212133010023		Wire Harness	1		6000
27	212133010024		Wire Harness	1		6500
27	212133010025		Wire Harness	1		7000
27	212133010026		Wire Harness	1		7500
27	212133010027		Wire Harness	1		8000
27	212133010028		Wire Harness	1		8500
27	212133010029		Wire Harness	1		9000
27	212133010017		Wire Harness	1		9500

02 Middle Mast (212146044502)



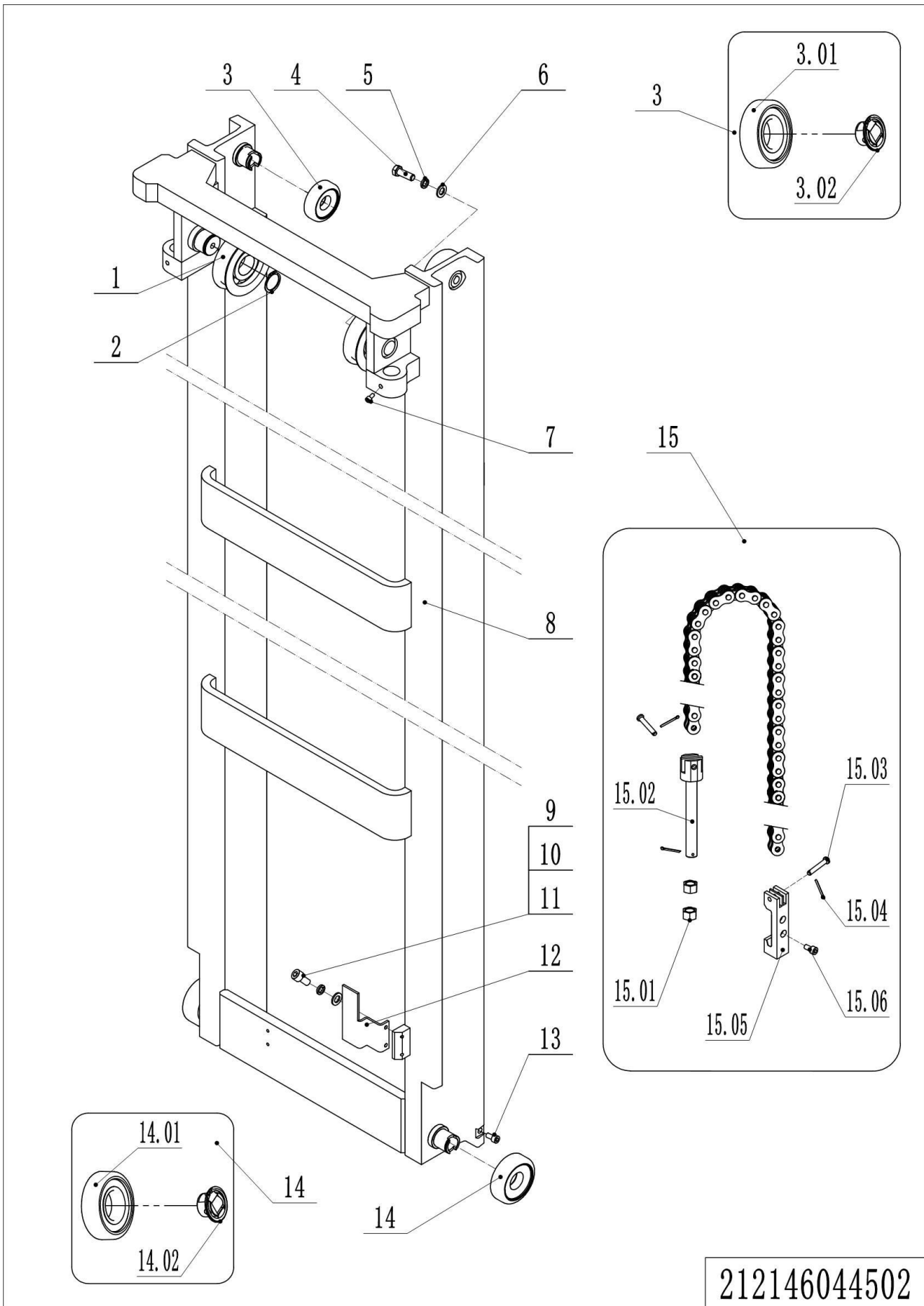
212146044502

1= Supply as package. 2= Supply with constraints. 3= Phasing-out supply. 4= Supply as assembly. 5= Check other tables.

02 Middle Mast (212146044502)

No.	Item Code	Mark	Item Description	Qty.	Substitute	Note
1	940200500001		Sprocket Bearing	2		
2	910401300020		Circlip	2		
3	940200300034		Compound Roller	2		Φ89.27, most used
3.01	940200100064		Main Roller	1		
3.02	940200900013		Side Roller	1		
3	940200300051		Compound Roller	2		Φ88.7
3.01	940200100068		Main Roller	1		
3.02	940200900010		Side Roller	1		
3	940200300044		Compound Roller	2		Φ90.1, Disable
4	910100300051		Bolt	1		
5	910400500008		Spring Washer	1		
6	910400100008		Flat Washer	1		
7	910200800022		Screw M8x25	2		
8	212144510020		Middle Mast(4500)	1		4500
8	212144510021		Middle Mast(5000)	1		5000
8	212144510022		Middle Mast(5500)	1		5500
8	212144510023		Middle Mast(6000)	1		6000
8	212144510024		Middle Mast(6500)	1		6500
8	212144510025		Middle Mast(7000)	1		7000
8	212144510026		Middle Mast(7500)	1		7500
8	212144510027		Middle Mast(8000)	1		8000
8	212144510028		Middle Mast(8500)	1		8500
8	212144510029		Middle Mast(9000)	1		9000
8	212144510030		Middle Mast(9500)	1		9500
9	910200200036		Screw	2		
10	910400500005		Spring Washer	2		
11	910400100005		Flat Washer	2		
12	212144520066		Fixing Plate	1		

02 Middle Mast (212146044502) Continuation 1



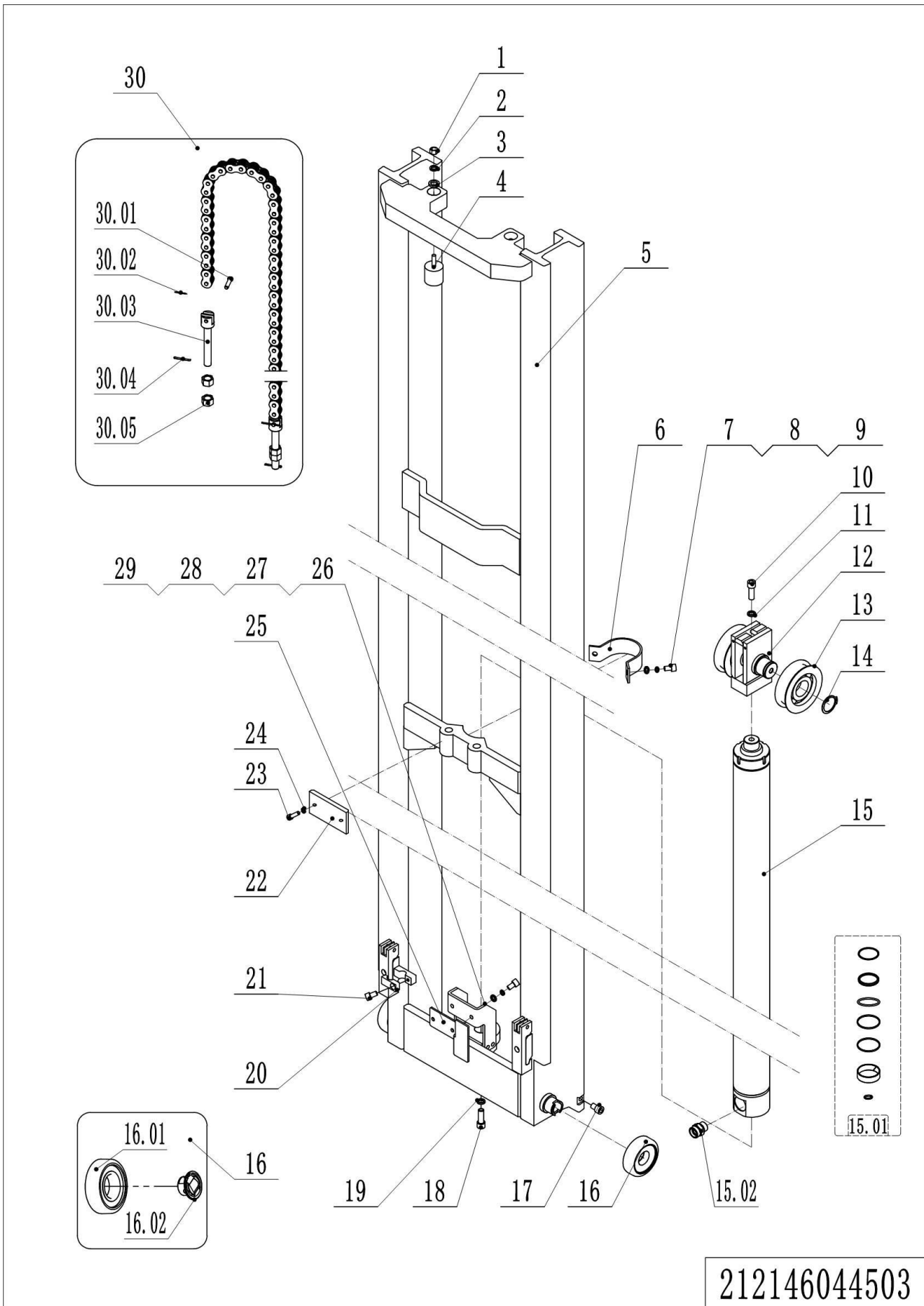
212146044502

1= Supply as package. 2= Supply with constraints. 3= Phasing-out supply. 4= Supply as assembly. 5= Check other tables.

02 Middle Mast (212146044502) Continuation 1

No.	Item Code	Mark	Item Description	Qty.	Substitute	Note
13	910200200096		Screw M12x20	2		
14	940200300052		Compound Roller	2		Φ89.6, most used
14.01	940200100067		Main Roller	1		
14.02	940200900012		Side Roller	1		
14	940200300056		Compound Roller	2		Φ 89.2
14.01	940200100066		Main Roller	1		
14.02	940200900012		Side Roller	1		
14	940200300043		Compound Roller	2		Φ 90
14.01	940200100065		Main Roller	1		
14.02	940200900012		Side Roller	1		
15	212144510101		Chain	2		4500
15	212144510102		Chain	2		5000
15	212144510103		Chain	2		5500
15	212144510104		Chain	2		6000
15	212144510105		Chain	2		6500
15	212144510106		Chain	2		7000
15	212144510107		Chain	2		7500
15	212144510108		Chain	2		8000
15	212144510109		Chain	2		8500
15	212144510110		Chain	2		9000
15	212144510111		Chain	2		9500
15.01	910300200008		Nut	2		
15.02	941300100012		Chain Bolt	1		
15.03	212144520316		Pin	2		
15.04	910600600030		Cotter Pin	3		
15.05	212144520081		Chain Seat	1		
15.06	910200200058		Screw M8x25	2		

03 Inner Mast (212146044503)

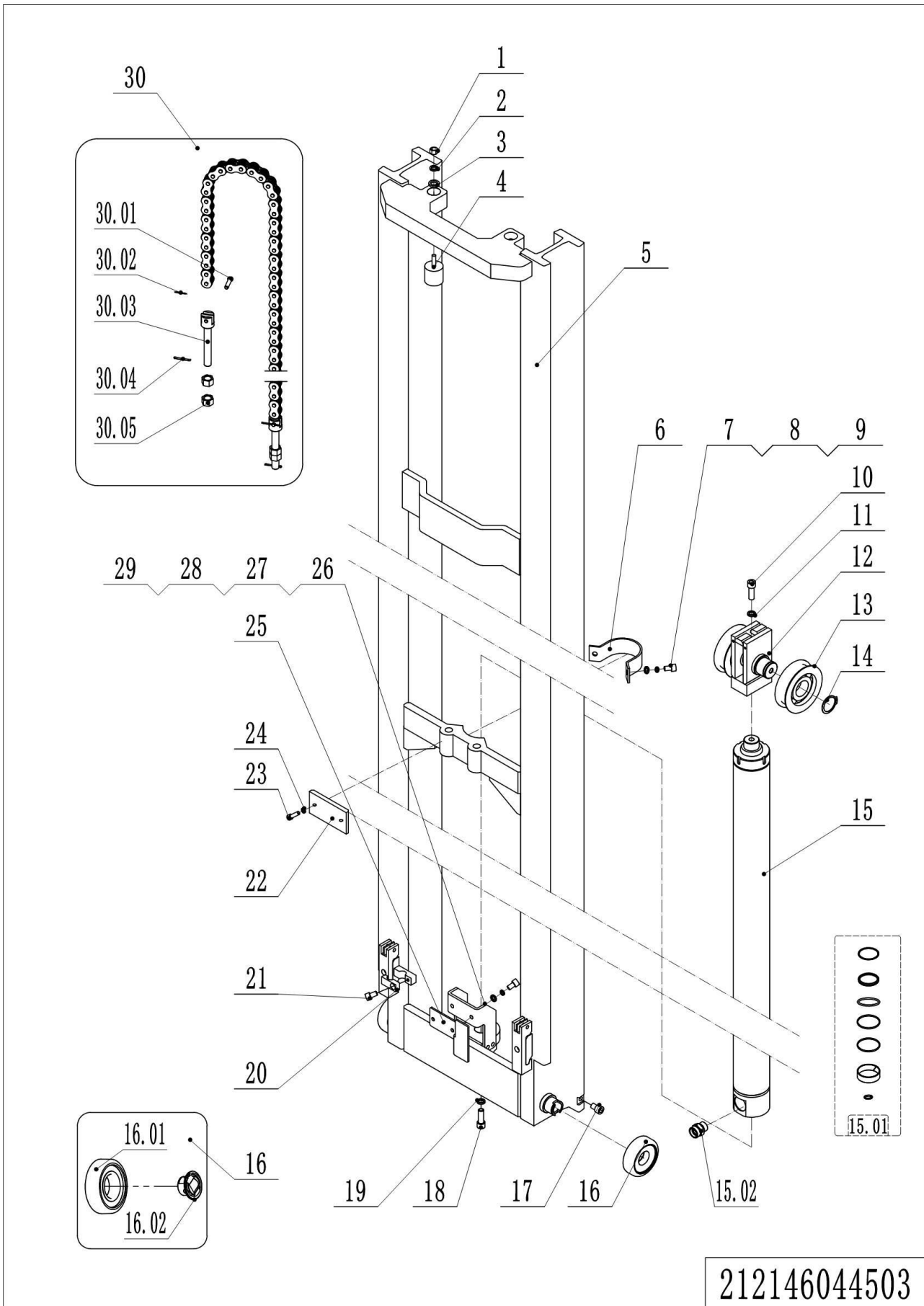


1= Supply as package. 2= Supply with constraints. 3= Phasing-out supply. 4= Supply as assembly. 5= Check other tables.

03 Inner Mast (212146044503)

No.	Item Code	Mark	Item Description	Qty.	Substitute	Note
1	910300500004	1	Nut	2		
2	910400500006	1	Spring Washer	3		
3	910400100006	1	Flat Washer	2		
4	212144520242		Crash Pad	2		
5	212144510035		Inner Mast(4500)	1		4500
5	212144510036		Inner Mast(5000)	1		5000
5	212144510037		Inner Mast(5500)	1		5500
5	212144510038		Inner Mast(6000)	1		6000
5	212144510039		Inner Mast(6500)	1		6500
5	212144510040		Inner Mast(7000)	1		7000
5	212144510041		Inner Mast(7500)	1		7500
5	212144510042		Inner Mast(8000)	1		8000
5	212144510043		Inner Mast(8500)	1		8500
5	212144510044		Inner Mast(9000)	1		9000
5	212144510045		Inner Mast(9500)	1		9500
6	212144520068		Fixing Plate	1		
7	910100200005	1	Bolt	2		
8	910400500007	1	Spring Washer	2		
9	910400100007	1	Flat Washer	2		
10	910200200099	1	Screw	2		
11	910400500008	1	Spring Washer	4		
12	212144510049		Yoke	1		
13	940200500001		Sprocket Bearing	2		
14	910401300020	1	Circlip	2		
15	212144510070		Cylinder	1		4500
15	212144510071		Cylinder	1		5000
15	212144510072		Cylinder	1		5500
15	212144510073		Cylinder	1		6000
15	212144510074		Cylinder	1		6500
15	212144510075		Cylinder	1		7000

03 Inner Mast (212146044503) Continuation 1



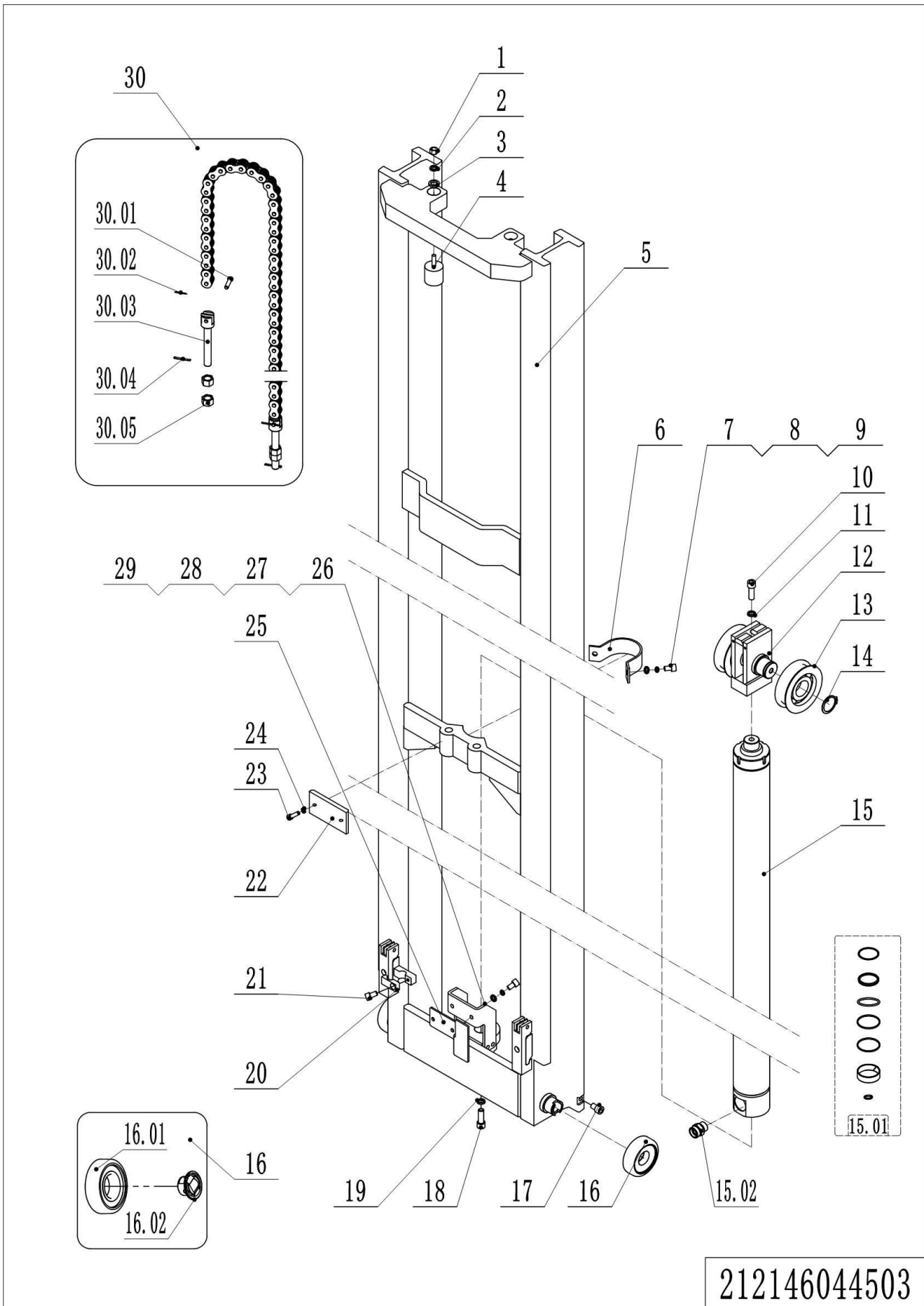
212146044503

1= Supply as package. 2= Supply with constraints. 3= Phasing-out supply. 4= Supply as assembly. 5= Check other tables.

03 Inner Mast (212146044503) Continuation 1

No.	Item Code	Mark	Item Description	Qty.	Substitute	Note
15	212144510076		Cylinder	1		7500
15	212144510077		Cylinder	1		8000
15	212144510078		Cylinder	1		8500
15	212144510079		Cylinder	1		9000
15	212144510080		Cylinder	1		9500
15.01	212198510003		Seal Kit	1		JX
15.01	212198510022		Seal Kit	1		BB
15.02	212198520036		Anti-explosion Valve	1		
16	940200300034		Compound Roller	2		Φ89.27, most used
16.01	940200100064		Main Roller	1		
16.02	940200900013		Side Roller	1		
16	940200300051		Compound Roller	2		Φ88.7
16.01	940200100068		Main Roller	1		
16.02	940200900010		Side Roller	1		
16	940200300044		Compound Roller	2		Φ90.1, Disable
17	910200200096	1	Screw	2		
18	910100200005	1	Bolt	1		
19	910400100008	1	Flat Washer	1		
20	213044520110		Pipe Clip	1		
21	910200200055	1	Screw	1		
22	212144520236		Press Plate	1		
23	910200500051	1	Screw	2		
24	910400500005	1	Spring Washer	2		
25	212144520298		Mounting Plate	1		
26	212144520049		Mounting Base	1		
27	910400100006	1	Flat Washer	2		
28	910400500006	1	Spring Washer	2		

03 Inner Mast (212146044503) Continuation 2

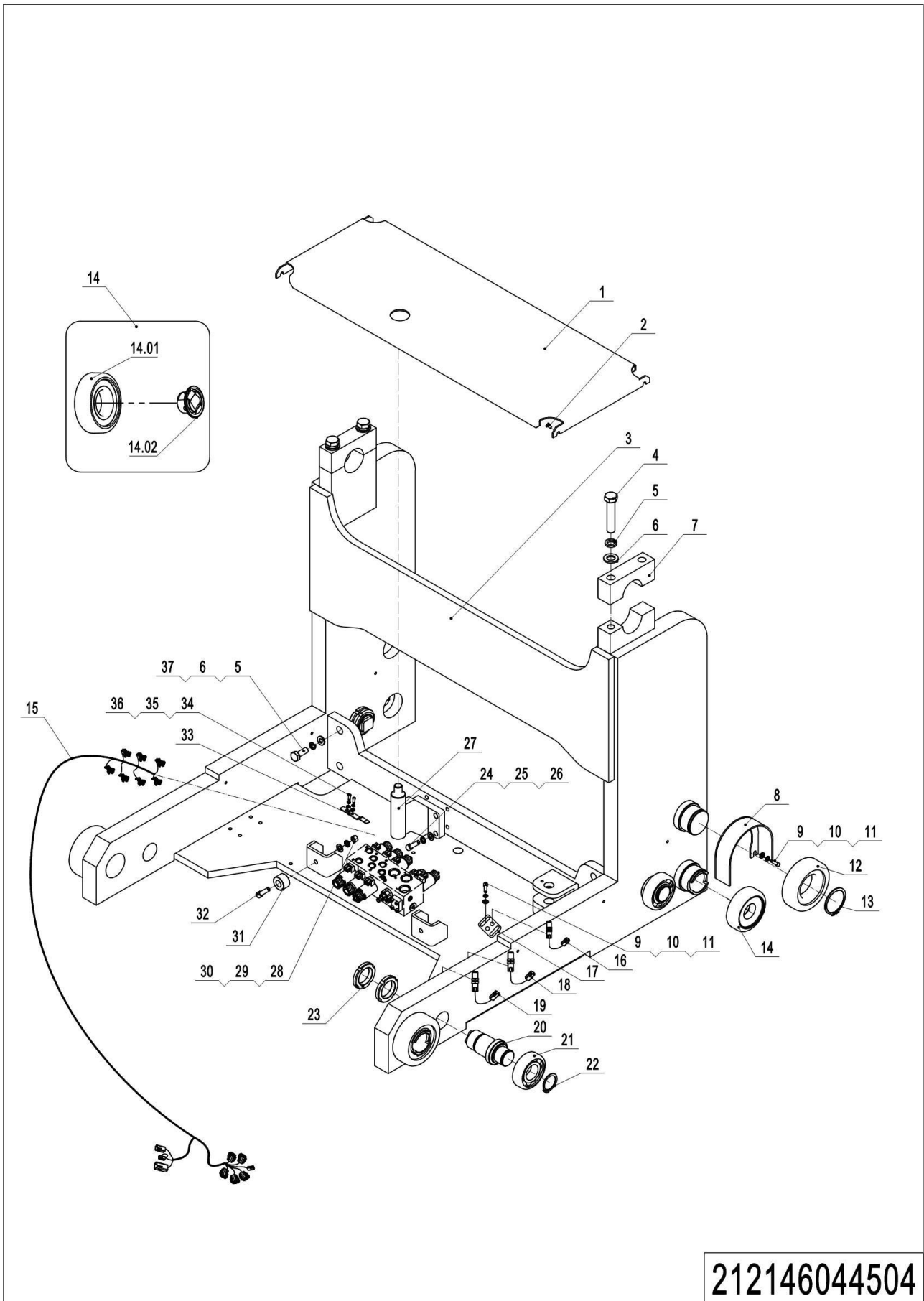


1= Supply as package. 2= Supply with constraints. 3= Phasing-out supply. 4= Supply as assembly. 5= Check other tables.

03 Inner Mast (212146044503) Continuation 2

No.	Item Code	Mark	Item Description	Qty.	Substitute	Note
29	910200200058	1	Screw M8x25	2		
30	212144510090		Chain	2		4500
30	212144510091		Chain	2		5000
30	212144510092		Chain	2		5500
30	212144510093		Chain	2		6000
30	212144510094		Chain	2		6500
30	212144510095		Chain	2		7000
30	212144510096		Chain	2		7500
30	212144510097		Chain	2		8000
30	212144510098		Chain	2		8500
30	212144510099		Chain	2		9000
30	212144510100		Chain	2		9500
30.01	212144520316		Chain Pin	2		
30.02	910600600022		Cotter Pin	2		
30.03	941300100012		Chain Bolt	2		
30.04	910600600030		Cotter Pin	2		
30.05	910300200008		Nut	4		

04 Reach Frame (212146044504)



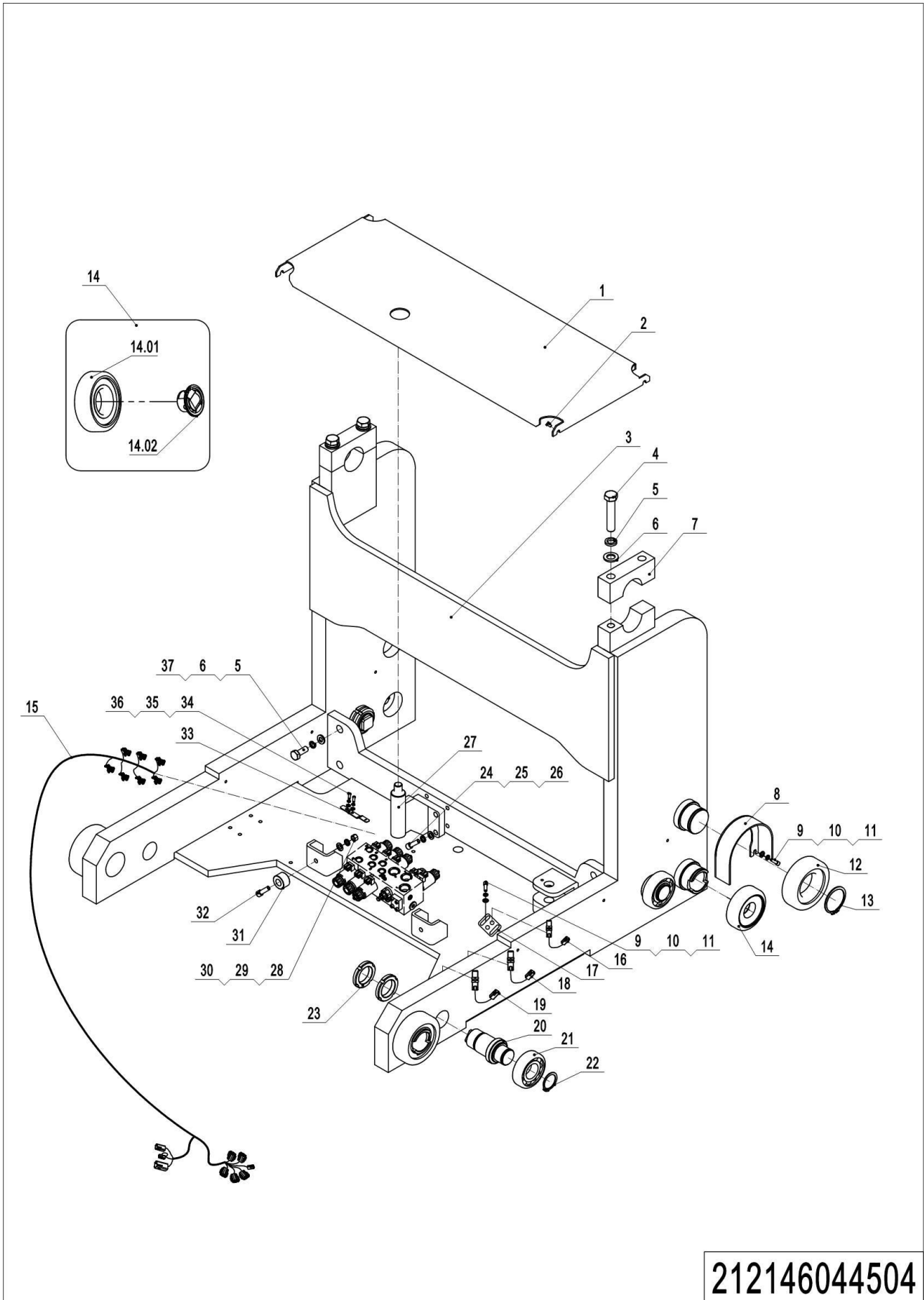
212146044504

1= Supply as package. 2= Supply with constraints. 3= Phasing-out supply. 4= Supply as assembly. 5= Check other tables.

04 Reach Frame (212146044504)

No.	Item Code	Mark	Item Description	Qty.	Substitute	Note
1	212144520234		Close Plate	1		
2	910100300010	1	Bolt	4		
3	212144510050		Frame	1		
4	910100200017	1	Bolt	4		
5	910400100010	1	Flat Washer	8		
6	910400500010	1	Spring Washer	8		
7	212144520217		Fixing Plate	2		
8	212144510081		Protective Cover	2		
9	910200200036	1	Screw	10		
10	910400100005	1	Flat Washer	10		
11	910400500005	1	Spring Washer	10		
12	940200100042		Main Roller	2		
13	910401300026	1	Circlip	6		
14	940200300042		Compound Roller	4		
14.01	940200100042		Main Roller	1		
14.02	940200900011		Side Roller	1		
15	212133010015		Wire Harness	1		
15	213133010026		Wire Harness	1		EN1175-2020
16	212133510002		Proximity Switch	1		
17	212144520235		Fixing Plate	3		
18	212133510003		Proximity Switch	1		
19	212133510004		Proximity Switch	1		
20	212144520218		Axle	4		
21	940200100008		Main Roller	4		
22	910401300018	1	Circlip	4		
23	910300800008		Nut	8		
24	910200200079	1	Screw	4		
25	910400100007	1	Flat Washer	4		
26	910400500007	1	Spring Washer	4		

04 Reach Frame (212146044504) Continuation 1

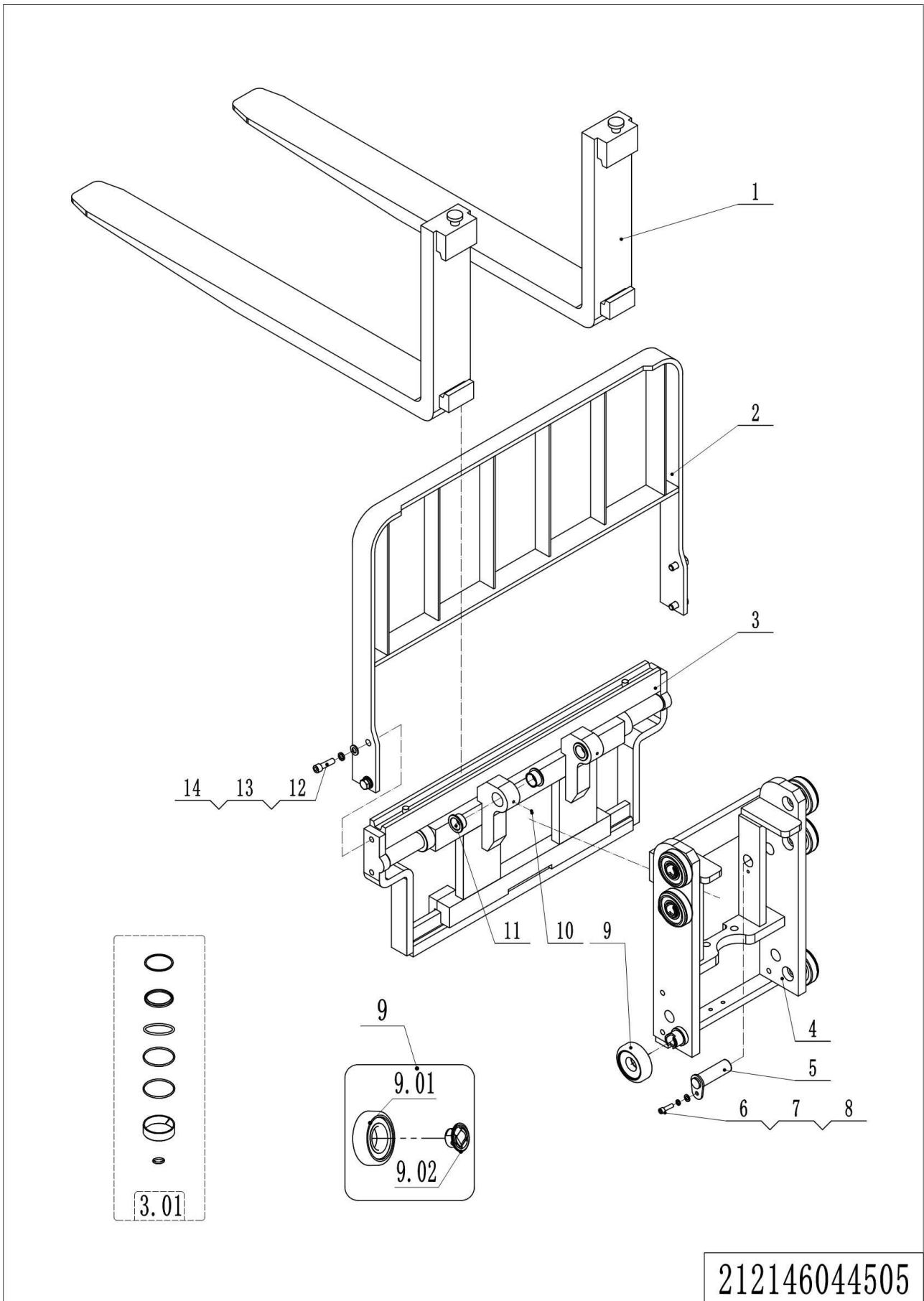


1= Supply as package. 2= Supply with constraints. 3= Phasing-out supply. 4= Supply as assembly. 5= Check other tables.

04 Reach Frame (212146044504) Continuation 1

No.	Item Code	Mark	Item Description	Qty.	Substitute	Note
27	212144510051		Fixing Base	1		
28	910300500004	1	Nut	2		
29	910400100006	1	Flat Washer	8		
30	910400500006	1	Spring Washer	8		
31	532621520062		Crash Pad	2		
32	910200200060	1	Screw	2		
33	921300300005		Holder	9		
34	910200500037	1	Screw	18		
35	910400500004	1	Spring Washer	18		
36	910400100004	1	Flat Washer	18		
37	910100200014	1	Bolt	4		

05 Fork Carriage (212146044505)

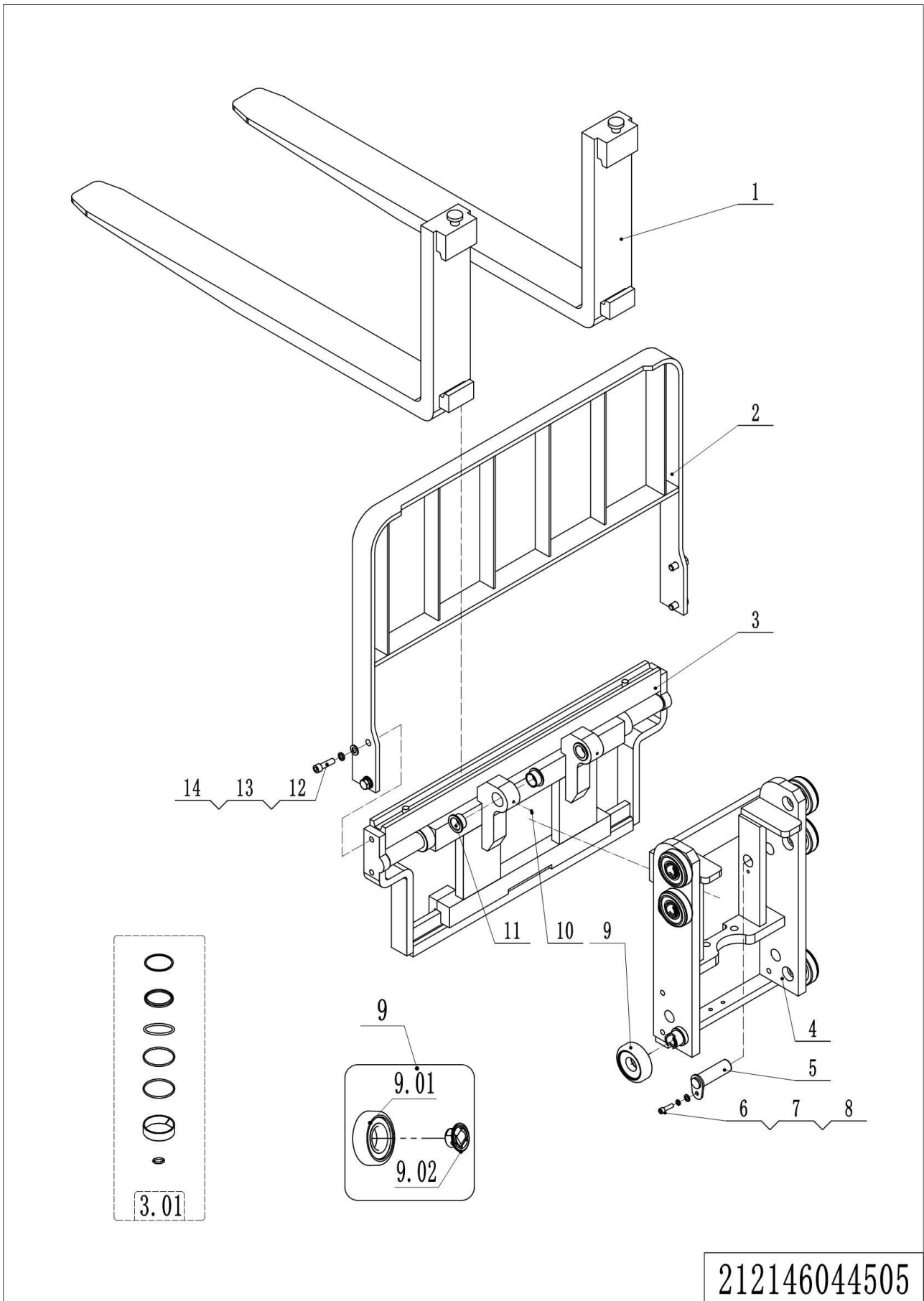


1= Supply as package. 2= Supply with constraints. 3= Phasing-out supply. 4= Supply as assembly. 5= Check other tables.

05 Fork Carriage (212146044505)

No.	Item Code	Mark	Item Description	Qty.	Substitute	Note
1	940100100001		Fork100x35x920	2		
1	940100100002		Fork100x35x950	2		
1	940100100003		Fork100x35x1070	2		
1	940100100004		Fork100x35x1150	2		
1	940100100005		Fork100x35x1220	2		
1	940100100006		Fork100x35x1370	2		
1	940100100029		Fork100x35x1520	2		
1	940100100047		Fork100x35x920-side hole	2		Wireless monitor
1	940100100048		Fork100x35x950-side hole	2		Wireless monitor
1	940100100049		Fork100x35x1070-side hole	2		Wireless monitor
1	940100100050		Fork100x35x1150-side hole	2		Wireless monitor
1	940100100051		Fork100x35x1220-side hole	2		Wireless monitor
1	940100100053		Fork100x35x1370-side hole	2		Wireless monitor
1	940100100054		Fork100x35x1520-side hole	2		Wireless monitor
2	212140510001		Load Backrest	1		Without side-shift
2	212140510000		Load Backrest	1		Diamond-shaped, Disable
2	212140530002		Load Backrest	1		Square-shaped
3	212138010005		Fork Carriage	1		Without side-shift
3	940100200006		Side Shifter	1		LD
3	940100200015		Side Shifter	1		LH
3.01	212198510024		Seal Kit	1		LD
3.01	212198510025		Seal Kit	1		LH
4	212138010000		Carriage	1		
5	212138010003		Pin	2		
6	910200300025	1	Screw	2		
7	910400100006	1	Flat Washer	2		
8	910400500019	1	Spring Washer	2		
9	940200300034		Compound Roller	6		Φ89.27, most used
9.01	940200100064		Main Roller	1		

05 Fork Carriage (212146044505) Continuation 1

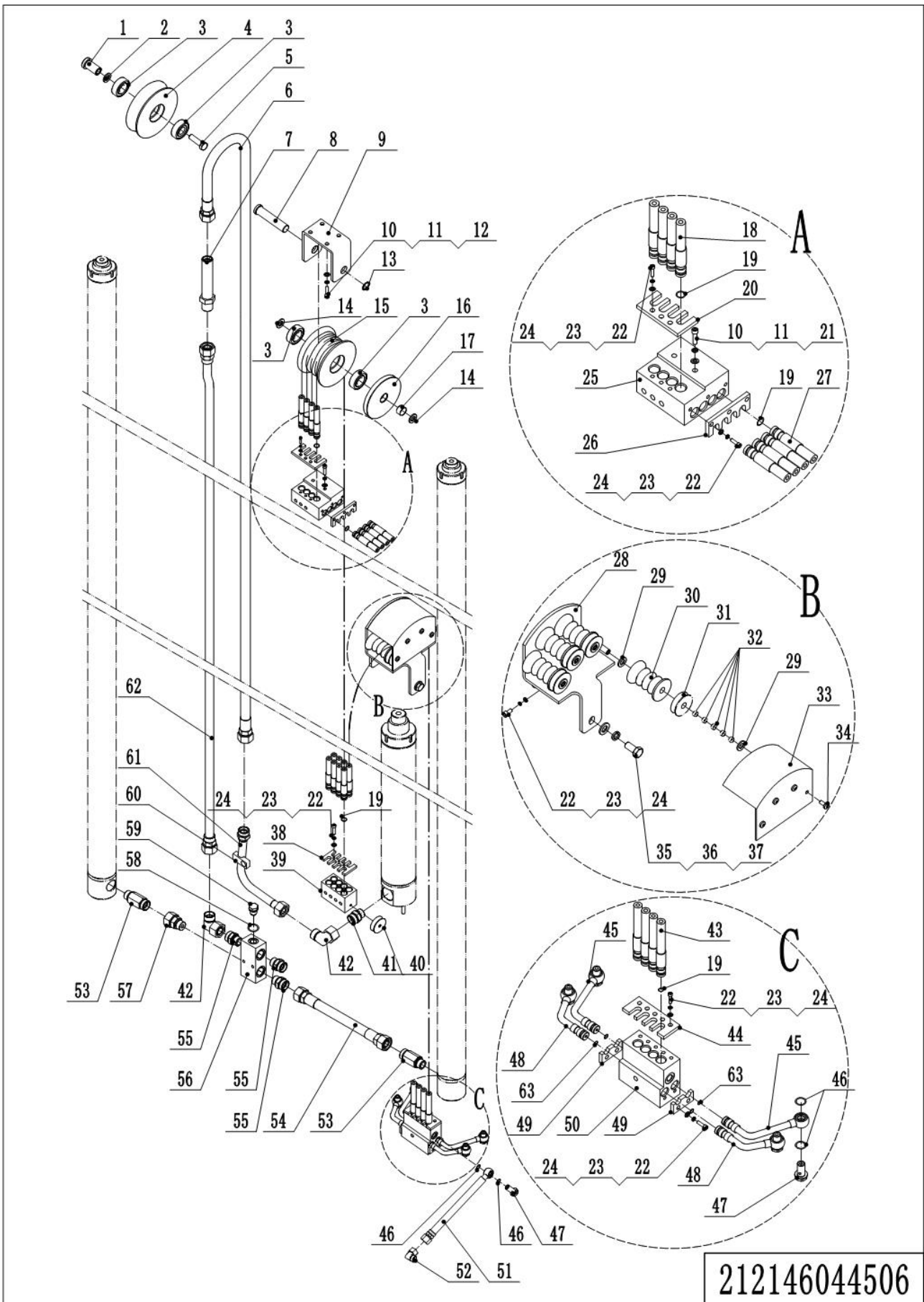


1= Supply as package. 2= Supply with constraints. 3= Phasing-out supply. 4= Supply as assembly. 5= Check other tables.

05 Fork Carriage (212146044505) Continuation 1

No.	Item Code	Mark	Item Description	Qty.	Substitute	Note
9.02	940200900013		Side Roller	1		
9	940200300051		Compound Roller	6		Φ88.7
9.01	940200100068		Main Roller	1		
9.02	940200900010		Side Roller	1		
9	940200300044		Compound Roller	6		Φ90.1, Disable
10	911200100002		Oil Cup	2		
11	940500400013		Bearing	4		
12	910100300050	1	Bolt	4		
13	910400500008	1	Spring Washer	4		
14	910400100008	1	Flat Washer	4		

06 Mast Hydraulic (212146044506)

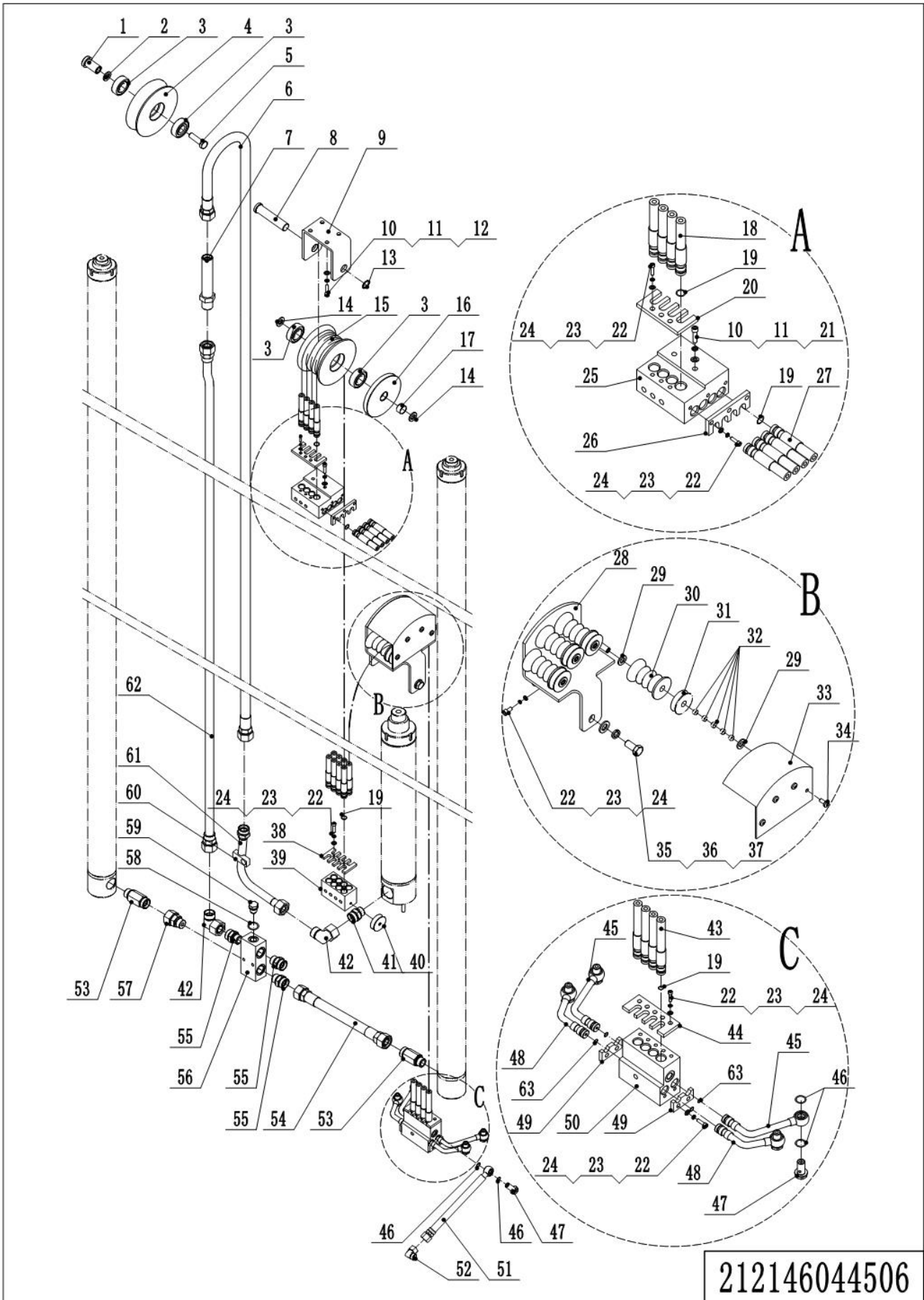


1= Supply as package. 2= Supply with constraints. 3= Phasing-out supply. 4= Supply as assembly. 5= Check other tables.

06 Mast Hydraulic (212146044506)

No.	Item Code	Mark	Item Description	Qty.	Substitute	Note
1	212144520051		Pin	1		
2	212144520052		Washer	1		
3	910700200019		Bearing	4		
4	212144520050		Pulley	1		
5	910100300057	1	Bolt	1		
6	212144520130		Hose	1		4500
6	212144520131		Hose	1		5000
6	212144520132		Hose	1		5500
6	212144520133		Hose	1		6000
6	212144520134		Hose	1		6500
6	212144520135		Hose	1		7000
6	212144520136		Hose	1		7500
6	212144520137		Hose	1		8000
6	212144520138		Hose	1		8500
6	212144520139		Hose	1		9000
6	212144520140		Hose	1		9500
7	950400500003		Joint	1		
8	212144520057		Pin	1		
9	212144520044		Mounting Base	1		
10	910400100006	1	Flat Washer	10		
11	910400500006	1	Spring Washer	15		
12	910200200058	1	Screw	13		
13	910401300011	1	Circlip	1		
14	212144520056		Washer	2		
15	212144520053		Pulley	1		
16	212144520054		Pulley	1		
17	940500100016		Bushing	1		
18	212144520100		Hose	4		4500
18	212144520101		Hose	4		5000
18	212144520102		Hose	4		5500

06 Mast Hydraulic (212146044506) Continuation 1

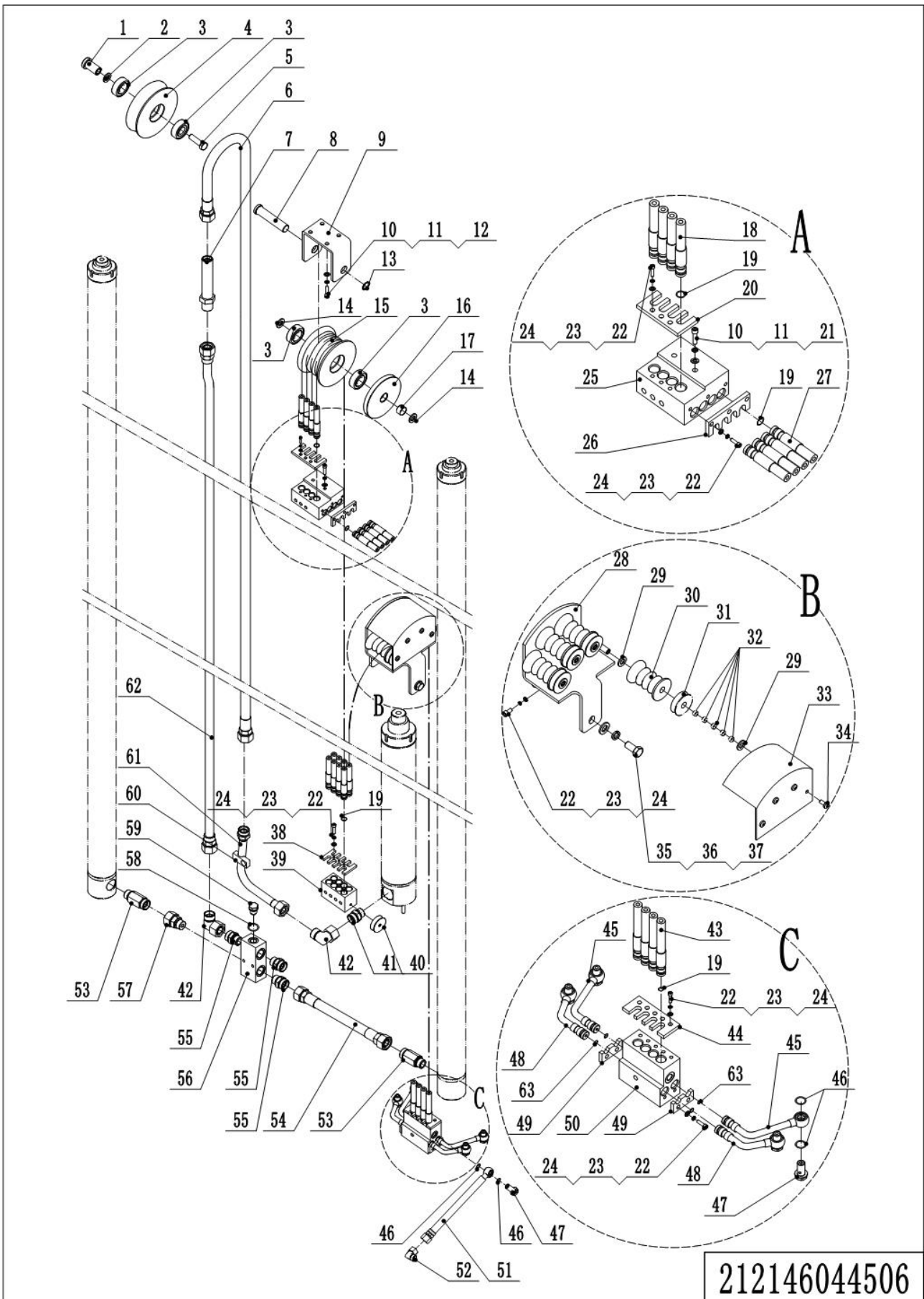


1= Supply as package. 2= Supply with constraints. 3= Phasing-out supply. 4= Supply as assembly. 5= Check other tables.

06 Mast Hydraulic (212146044506) Continuation 1

No.	Item Code	Mark	Item Description	Qty.	Substitute	Note
18	212144520103		Hose	4		6000
18	212144520104		Hose	4		6500
18	212144520105		Hose	4		7000
18	212144520106		Hose	4		7500
18	212144520107		Hose	4		8000
18	212144520108		Hose	4		8500
18	212144520109		Hose	4		9000
18	212144520110		Hose	4		9500
19	910800100124		O-Ring	26		
20	212144520045		Plate	1		
21	910200200062	1	Screw	2		
22	910200200035	1	Screw	16		
23	910400500005	1	Spring Washer	16		
24	910400100005	1	Flat Washer	16		
25	212144520047		Valve Block	1		
26	212144520046		Plate	1		
27	212125020015		Hose	4		4500
27	212125020026		Hose	4		5000
27	212125020027		Hose	4		5500
27	212125020018		Hose	4		6000
27	212125020019		Hose	4		6500
27	212125020020		Hose	4		7000
27	212125020021		Hose	4		7500
27	212125020022		Hose	4		8000
27	212125020023		Hose	4		8500
27	212125020024		Hose	4		9000
27	212125020025		Hose	4		9500
28	212144510047		Wheel Casing	1		
29	910400100007	1	Flat Washer	8		
30	212144520058		Pulley	4		

06 Mast Hydraulic (212146044506) Continuation 2

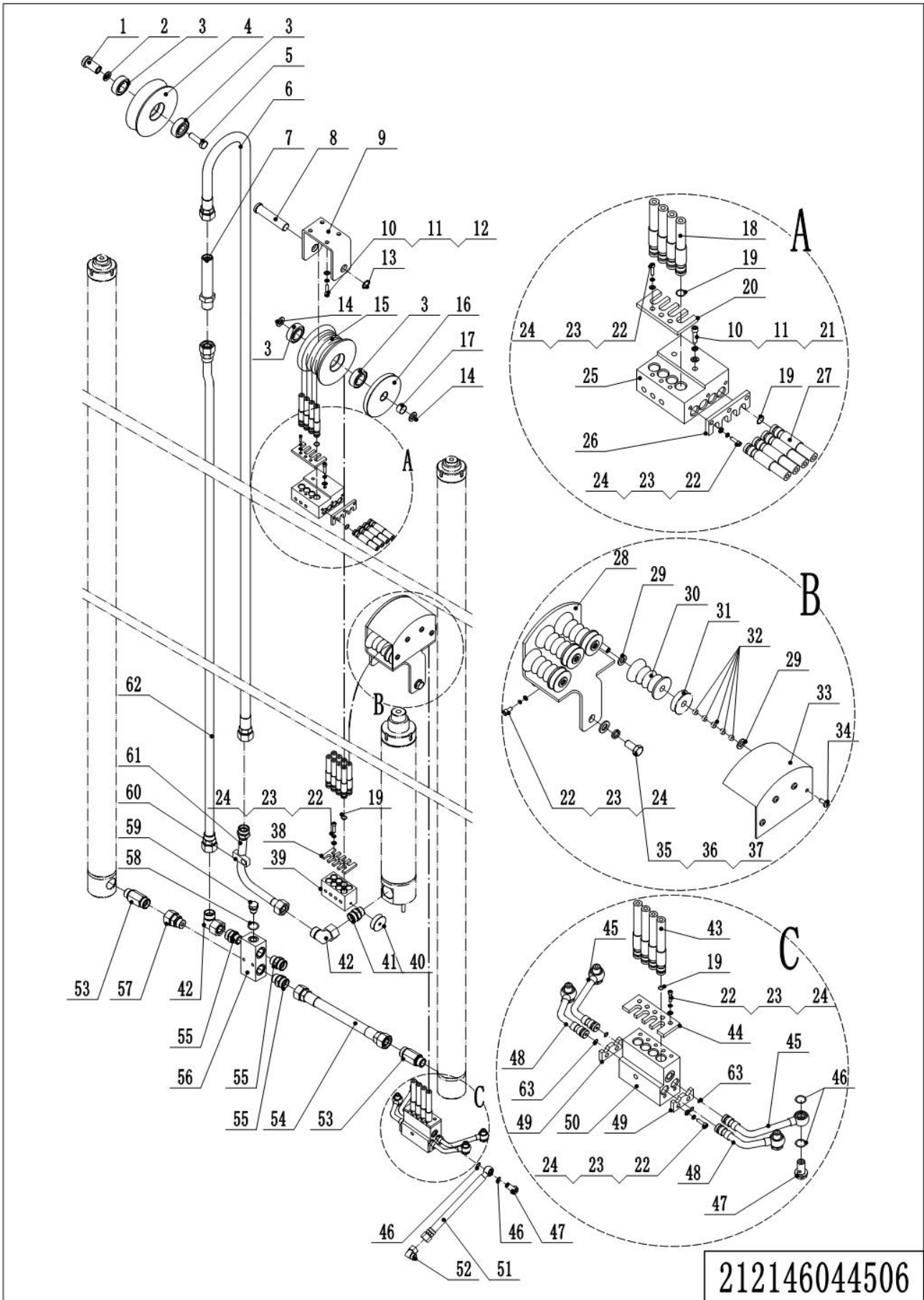


1= Supply as package. 2= Supply with constraints. 3= Phasing-out supply. 4= Supply as assembly. 5= Check other tables.

06 Mast Hydraulic (212146044506) Continuation 2

No.	Item Code	Mark	Item Description	Qty.	Substitute	Note
31	212144520059		Pulley	4		
32	940500100079		Bushing	20		
33	212144510046		Wheel Casing	1		
34	910200500052	1	Screw	4		
35	910100300048		Bolt	2		
36	910400500008	1	Spring Washer	3		
37	910400100008	1	Flat Washer	2		
38	212144520040		Plate	1		
39	212144520039		Valve Block	1		
40	212144520037		Pulley	1		
41	212198520036		Anti-explosion Valve	1		
42	950400200006		Joint	2		
43	212144520085		Hose	4		4500
43	212144520086		Hose	4		5000
43	212144520087		Hose	4		5500
43	212144520088		Hose	4		6000
43	212144520089		Hose	4		6500
43	212144520090		Hose	4		7000
43	212144520091		Hose	4		7500
43	212144520092		Hose	4		8000
43	212144520093		Hose	4		8500
43	212144520094		Hose	4		9000
43	212144520095		Hose	4		9500
44	212144520032		Plate	1		
45	212144520033		Steel Tube	2		
46	910800100125		O-Ring	4		
47	212144520042	1	Bolt	4		
48	212144520034		Steel Tube	2		
49	212144520031		Plate	2		
50	212144520030		Valve Block	1		

06 Mast Hydraulic (212146044506) Continuation 3



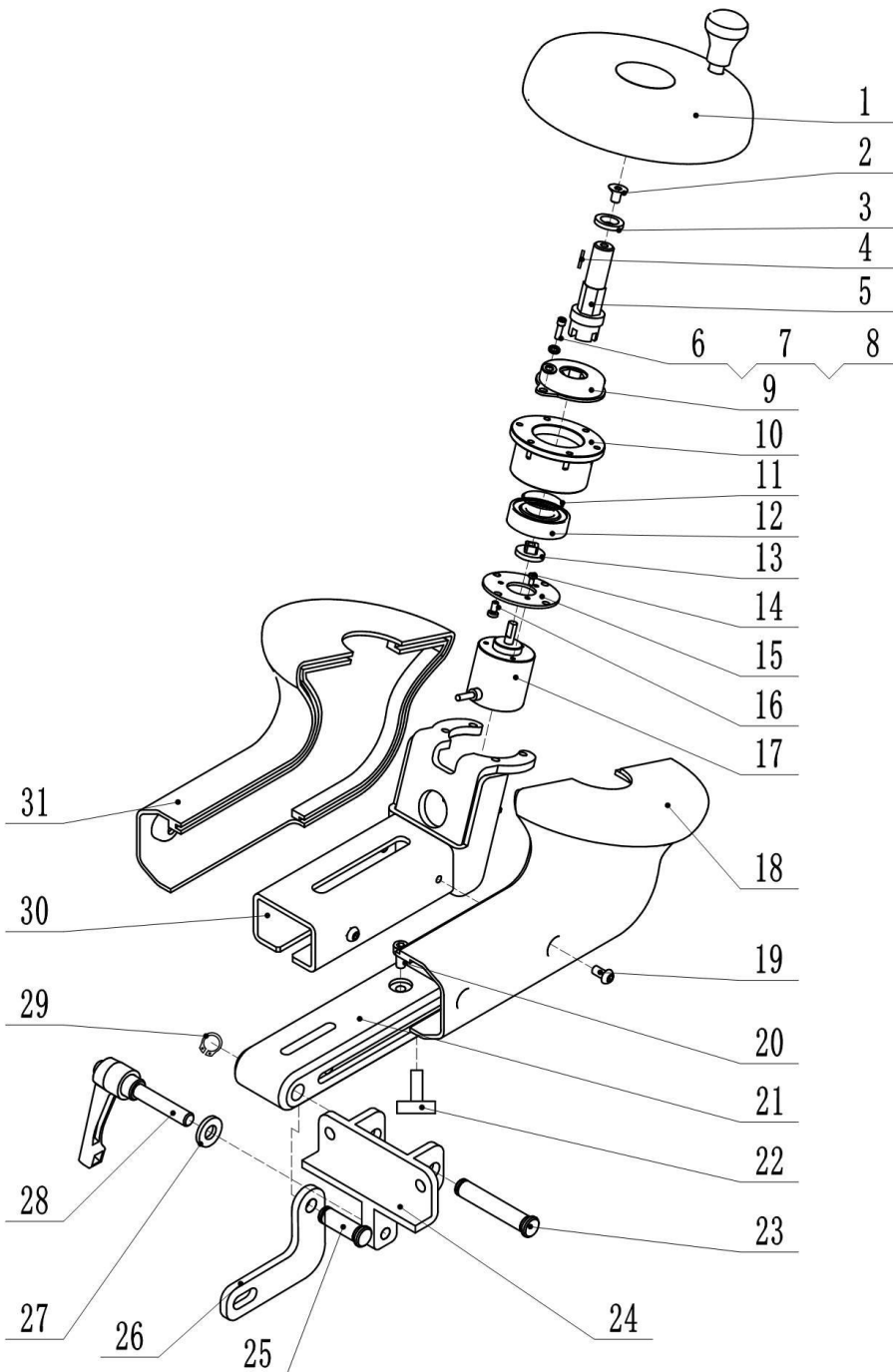
1= Supply as package. 2= Supply with constraints. 3= Phasing-out supply. 4= Supply as assembly. 5= Check other tables.

06 Mast Hydraulic (212146044506) Continuation 3

No.	Item Code	Mark	Item Description	Qty.	Substitute	Note
51	212144520035		Hose	2		
52	950400200001		Joint	2		
53	212198520022		Anti-explosion Valve	2		
54	212144520036		Hose	1		
55	950400400011		Joint	3		
56	212144520041		Valve Block	1		
57	950400100003		Joint	1		
58	910800900005		Bonded Washer	1		
59	911300100001		Screw Plug	1		
60	213044520110		Pipe Clip	1		
61	212144520048		Steel Tube	1		
62	212144520115		Steel Tube	1		4500
62	212144520116		Steel Tube	1		5000
62	212144520117		Steel Tube	1		5500
62	212144520118		Steel Tube	1		6000
62	212144520119		Steel Tube	1		6500
62	212144520120		Steel Tube	1		7000
62	212144520121		Steel Tube	1		7500
62	212144520122		Steel Tube	1		8000
62	212144520123		Steel Tube	1		8500
62	212144520124		Steel Tube	1		9000
62	212144520125		Steel Tube	1		9500
63	910800100124		O-Ring	4		

Chapter 5: Steering System, Braking System, Wheels

01 Steering Wheel (212146031501)



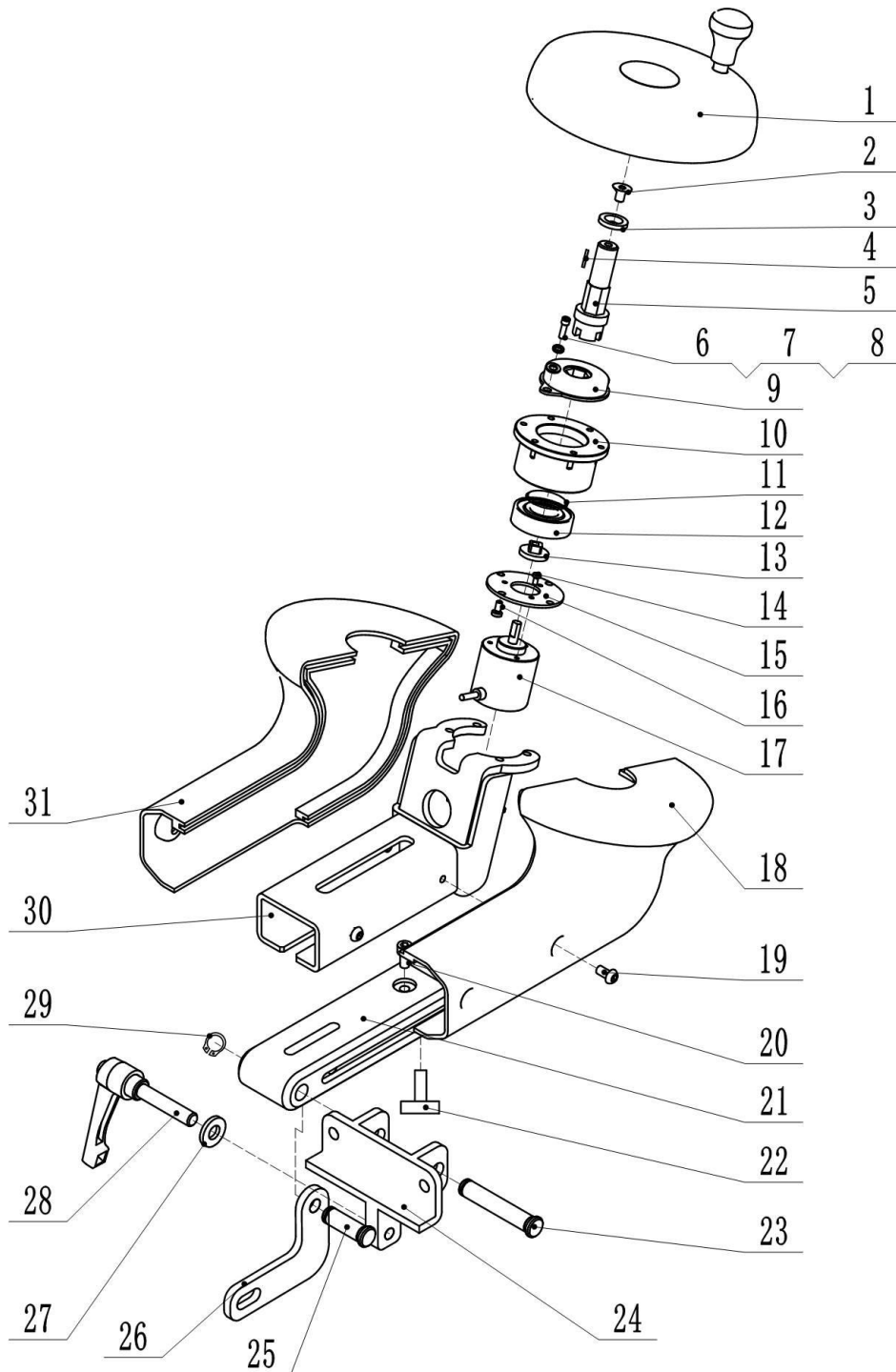
212146031501

1= Supply as package. 2= Supply with constraints. 3= Phasing-out supply. 4= Supply as assembly. 5= Check other tables.

01 Steering Wheel (212146031501)

No.	Item Code	Mark	Item Description	Qty.	Substitute	Note
1	940801700001		Handwheel	1		
2	910200400015	1	Screw	1		
3	212131520006		Washer	1		
4	910600800004		Flat Key	1		
5	212131520005		Axle	1		
6	910200500038	1	Screw	5		
7	910400100004	1	Flat Washer	5		
8	910400500004	1	Spring Washer	5		
9	271531511021		Damper	1		
10	212131520007		Bracket	1		
11	910401400012	1	Circlip	1		
12	910700200004		Bearing	1		
13	505931520002		Link Block	1		
14	910200500009	1	Screw	3		
15	212131520008		Fixing Plate	1		
16	910200500021	1	Screw	4		
17	921800200039		Potentiometer	1		
17	921800200031		Potentiometer	1		Disable
18	212131520001		Protective Cover	1		
19	910200300017	1	Screw	4		
20	910200200033	1	Screw	1		
21	212131520004		Sliding Block	1		
22	212131520015		Handwheel	1		
23	440517020002		Pin	1		
24	212131510000		Fixing Base	1		
25	213031540015		Pin	1		
26	212131520003		Fixing Plate	1		

01 Steering Wheel (212146031501) Continuation 1



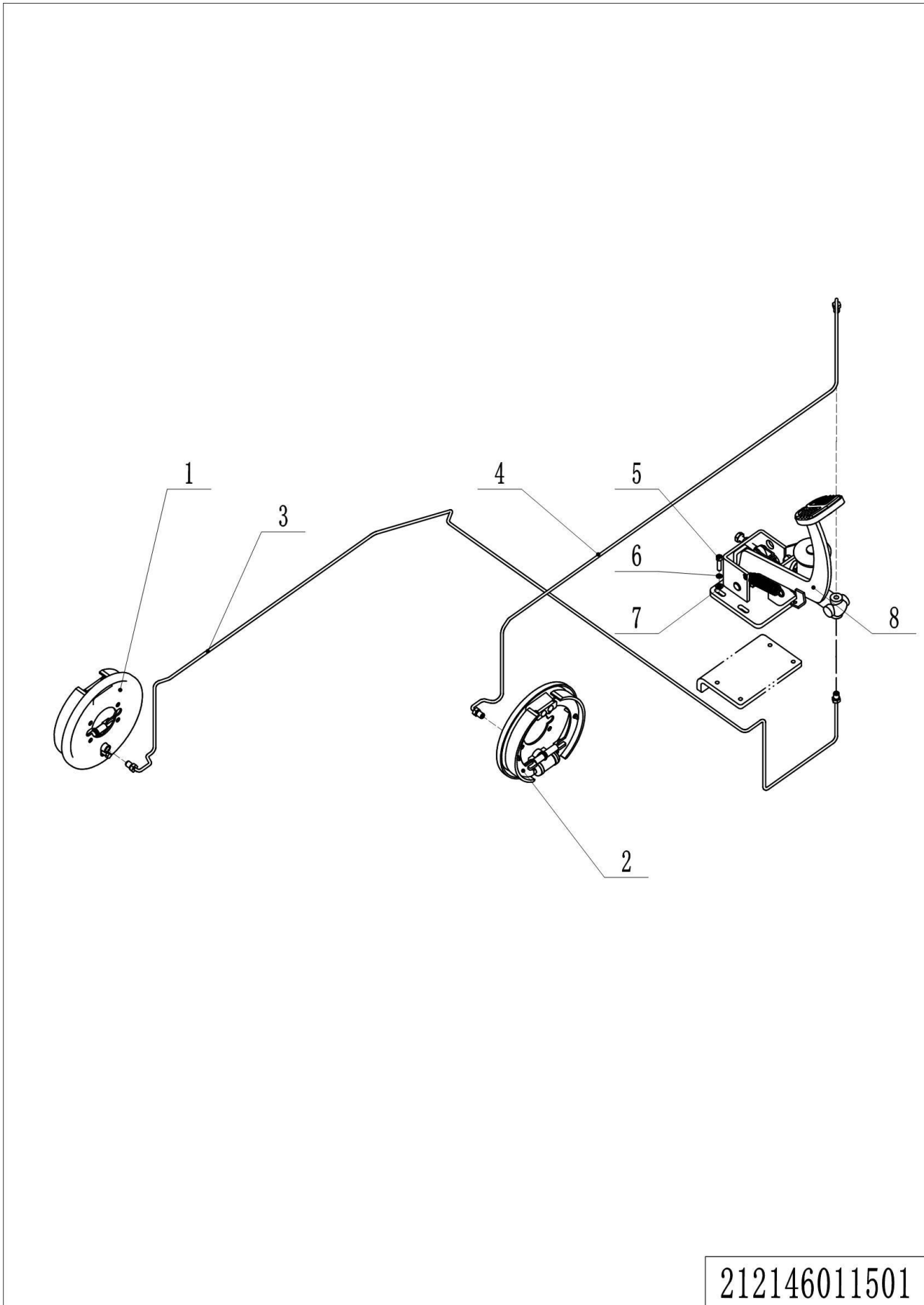
212146031501

1= Supply as package. 2= Supply with constraints. 3= Phasing-out supply. 4= Supply as assembly. 5= Check other tables.

01 Steering Wheel (212146031501) Continuation 1

No.	Item Code	Mark	Item Description	Qty.	Substitute	Note
27	212131520002		Washer	1		
28	272031510001		Handle	1		
29	910401300003	1	Circlip	1		
30	212131510001		Fixing Base	1		
31	212131520000		Protective Cover	1		

02 Brake Unit (212146011501)



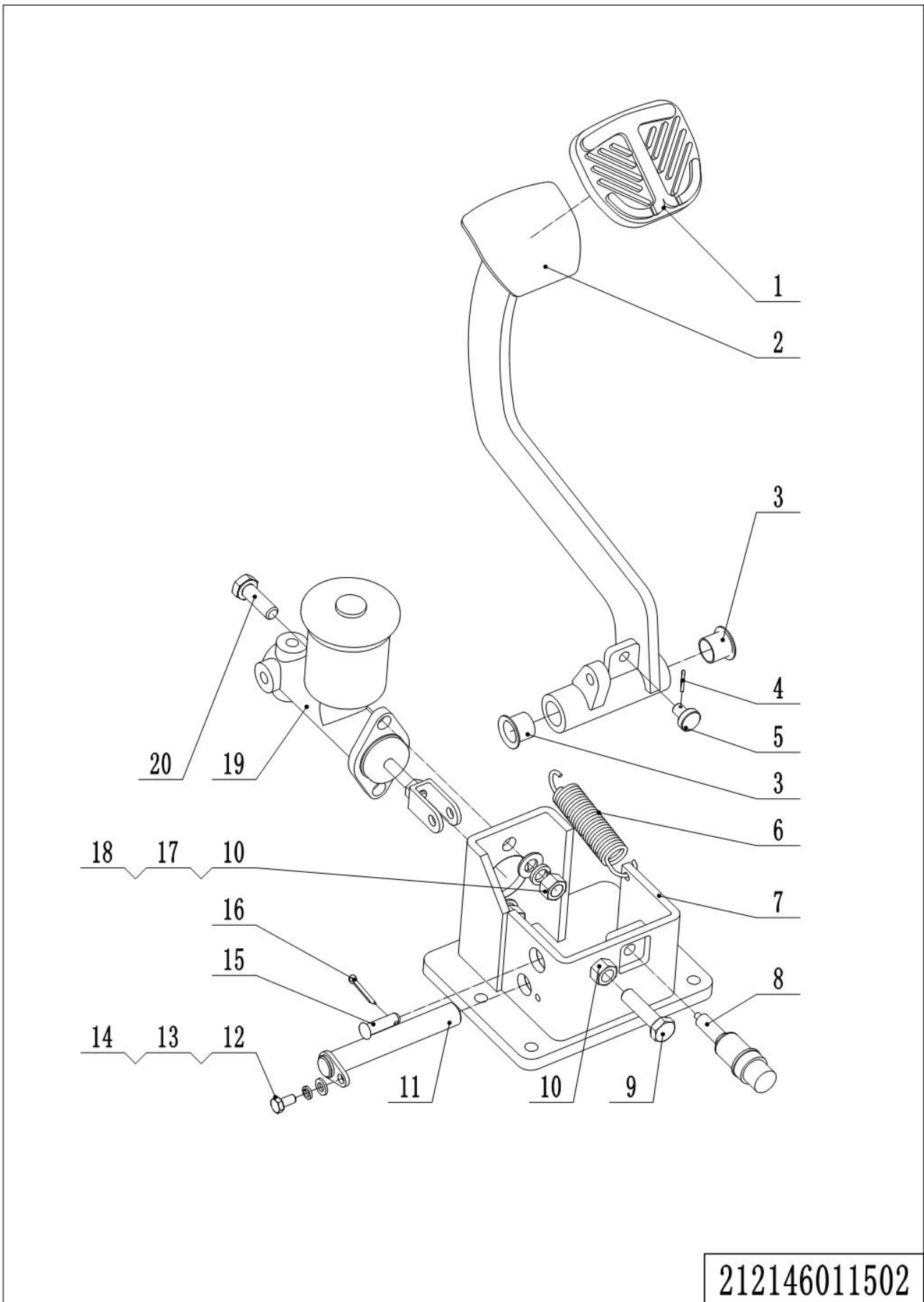
212146011501

1= Supply as package. 2= Supply with constraints. 3= Phasing-out supply. 4= Supply as assembly. 5= Check other tables.

02 Brake Unit (212146011501)

No.	Item Code	Mark	Item Description	Qty.	Substitute	Note
1	940700200004		Brake	1		Right
2	940700200005		Brake	1		Left
3	212111510005		Steel Tube	1		
4	212111510004		Steel Tube	1		
5	910200200058	1	Screw	4		
6	910400500006	1	Spring Washer	4		
7	910400100006	1	Flat Washer	4		
8	212111510000		Foot Brake Assembly	1		See 212146011502

03 Brake Pedal (212146011502)



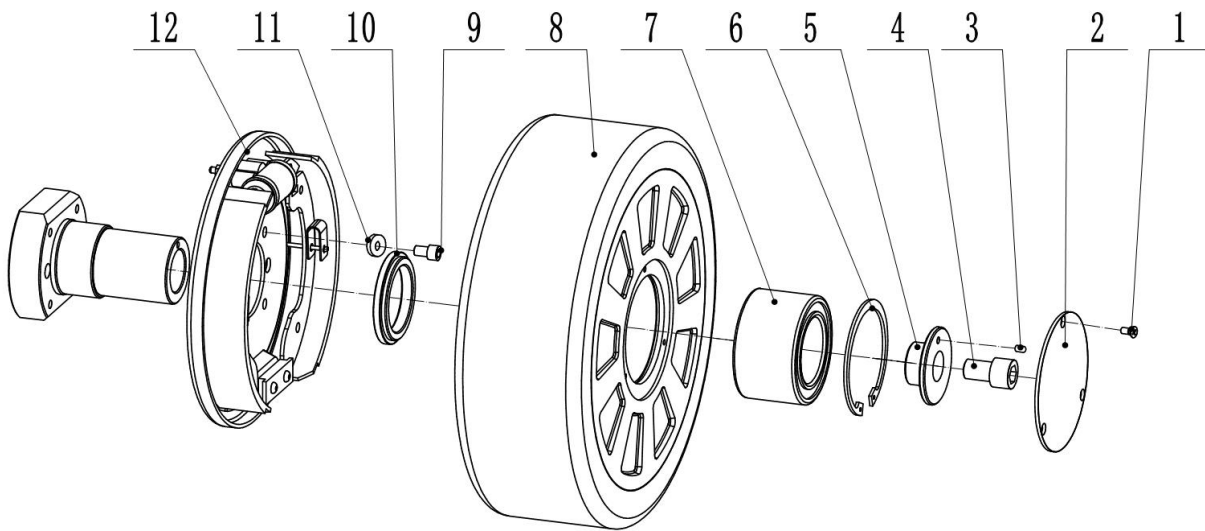
212146011502

1= Supply as package. 2= Supply with constraints. 3= Phasing-out supply. 4= Supply as assembly. 5= Check other tables.

03 Brake Pedal (212146011502)

No.	Item Code	Mark	Item Description	Qty.	Substitute	Note
1	253511520010		Rubber Mat	1		
2	212111510003		Platform	1		
3	940500200016		Bushing	2		
4	910600600011		Cotter Pin	1		
5	251011520015		Crash Pad	1		
6	275211521013		Spring	1		
7	212111510001		Bracket	1		
8	920201000002		Switch	1		
9	910100300039	1	Bolt	1		
10	910300100007	1	Nut	3		
11	212111510002		Pin	1		
12	910400100005	1	Flat Washer	1		
13	910400500005	1	Spring Washer	1		
14	910100300009	1	Bolt	1		
15	910600700026		Pin	1		
16	910600600026		Cotter Pin	1		
17	910400100007	1	Flat Washer	2		
18	910400500007	1	Spring Washer	2		
19	212111510006		Brake Pump	1		
20	910100300037	1	Bolt	2		

04 Load Wheel (212146017001)



212146017001

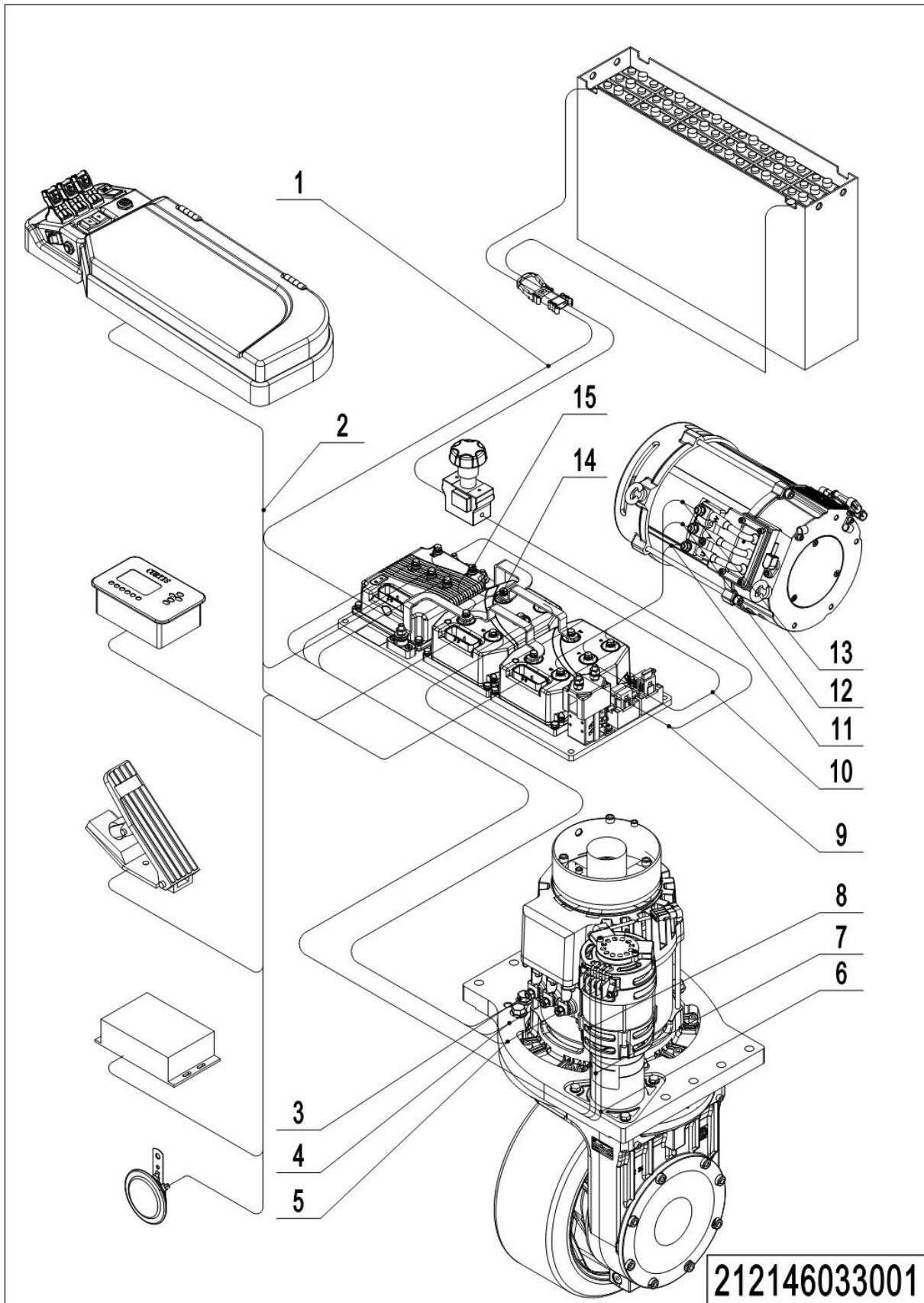
1= Supply as package. 2= Supply with constraints. 3= Phasing-out supply. 4= Supply as assembly. 5= Check other tables.

04 Load Wheel (212146017001)

No.	Item Code	Mark	Item Description	Qty.	Substitute	Note
1	910200600016	1	Screw	3		
2	212117020000		Close Plate	1		
3	910600100009		Cylindrical Pin	1		
4	910202500001	1	Screw	1		
5	212117020002		Press Cover	1		
6	910401400024	1	Circlip	1		
7	941101000005		Bearing	1		
8	940300300034		WheelΦ285x110	2		YuLin
8	940300300066		WheelΦ285x110	2		Stellana
9	910100300022	1	Bolt	4		
10	212117020001	1	Washer	1		
11	910400100006	1	Flat Washer	4		
12	/		/	/		

Chapter 6: Electrical Parts

01 Wire Harness (212146033001)

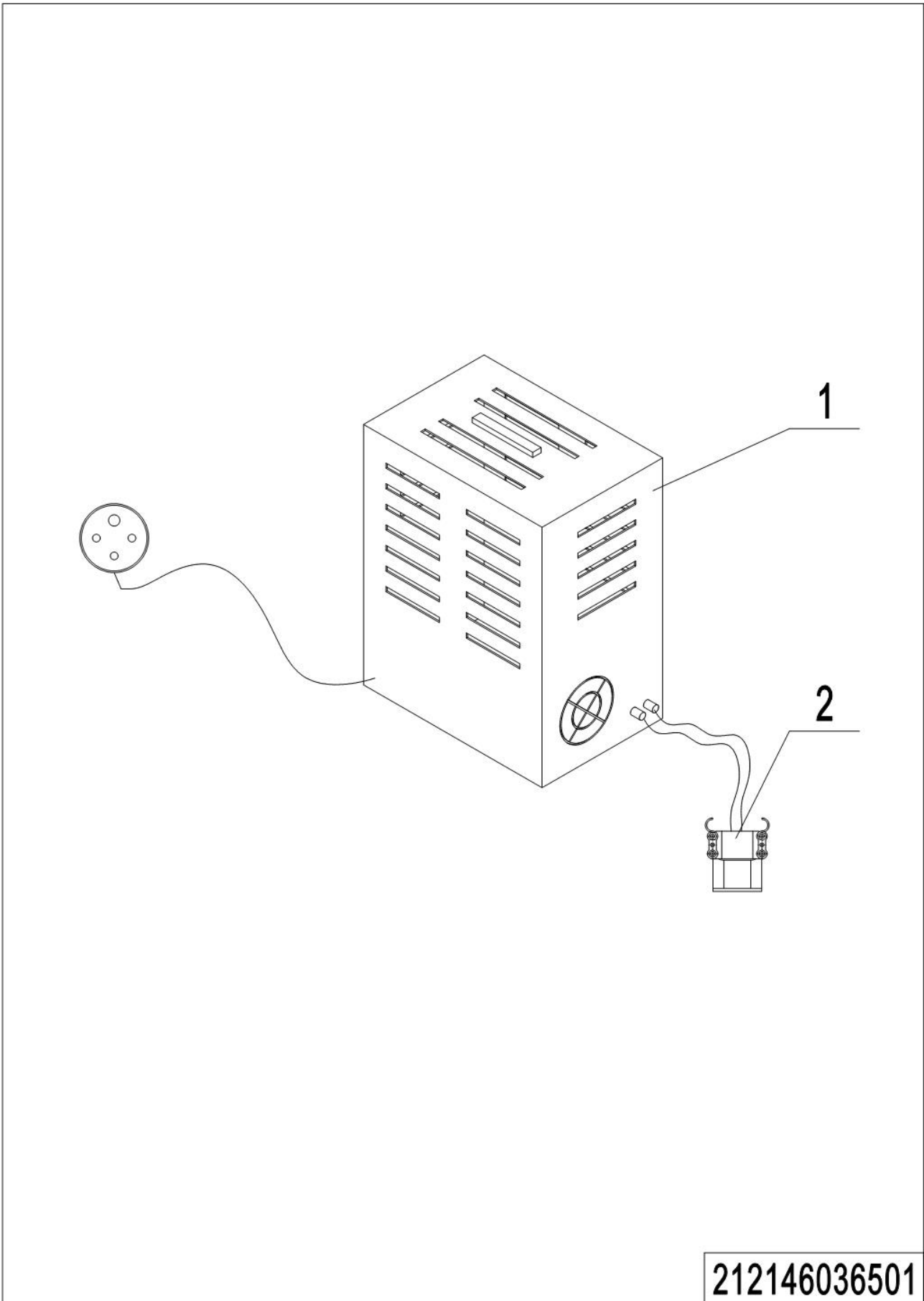


1= Supply as package. 2= Supply with constraints. 3= Phasing-out supply. 4= Supply as assembly. 5= Check other tables.

01 Wire Harness (212146033001)

No.	Item Code	Mark	Item Description	Qty.	Substitut	Note
1	212133010010		Wire Harness	1		Lead-acid
1	212133010031		Wire Harness	1		Lithium
1	212133010068		Wire Harness	1		20kw, Lithium
2	212133010000		Wire Harness	1		Lead-acid(1232SE)
2	212133010030		Wire Harness	1		Lithium(1232SE)
2	212133010033		Wire Harness	1		Lead-acid(F4A)
2	212133010034		Wire Harness	1		Lithium(F4A)
2	212133010051		Wire Harness	1		EN1175-2020
2	212133010049		Wire Harness	1		1232SE+1353+3401
2	212133010049		Wire Harness	1		1232SE+1232SE+3401
2	213133010027		Wire Harness	1		1232SE+1234SE+3401(20kw)
3	212133010001		Cable	1		
4	212133010002		Cable	1		
5	212133010003		Cable	1		
6	212133010007		Cable	1		
7	212133010008		Cable	1		
8	212133010009		Cable	1		
9	212133010011		Cable	1		
9	213333010036		Cable	1		20KW
10	212133010012		Cable	1		
10	213333010037		Cable	1		20KW
11	212133010004		Cable	1		
11	213333010032		Cable	1		20KW
12	212133010005		Cable	1		
12	213333010033		Cable	1		20KW
13	212133010006		Cable	1		
13	213333010034		Cable	1		20KW
14	213033010018		Cable	1		
15	213033010019		Cable	1		

02 Charger (212146036501)

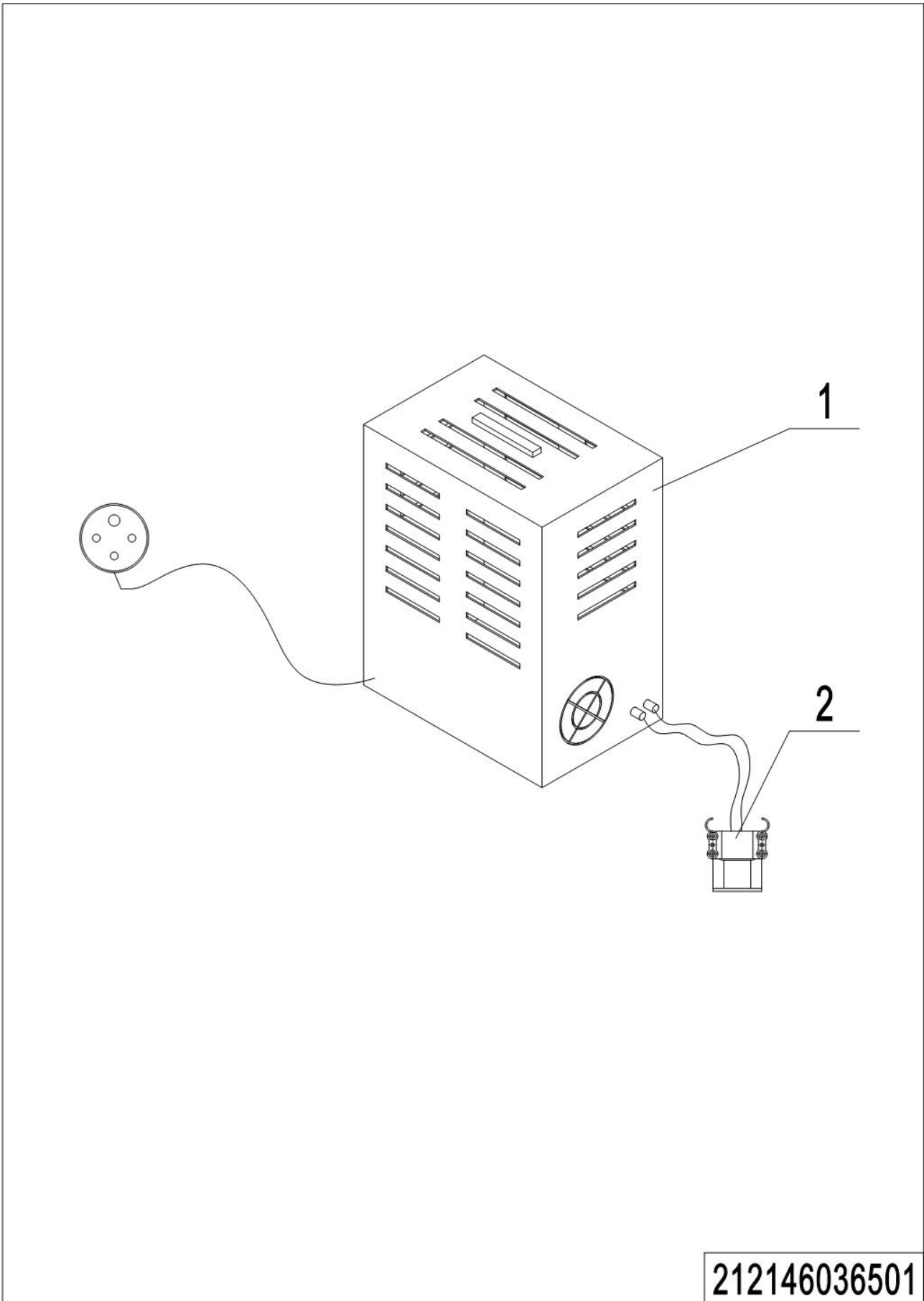


1= Supply as package. 2= Supply with constraints. 3= Phasing-out supply. 4= Supply as assembly. 5= Check other tables.

02 Charger (212146036501)

No.	Item Code	Mark	Item Description	Qty.	Substitute	Note
1	921000200067		Charger48V55A(Aisa-CHN)	1		Lead-acid
1	921000200068		Charger48V55A(Aisa-ENG)	1		Lead-acid
1	921000200069		Charger48V55A(EU)	1		Lead-acid
1	921000200070		Charger48V55A(ENG)	1		Lead-acid
1	921000200071		Charger48V55A(AUS)	1		Lead-acid
1	921000200072		Charger48V55A(USA)	1		Lead-acid
1	921000200109		Charger48V80A(Aisa-CHN)	1		Lead-acid
1	921000200110		Charger48V80A(Aisa-ENG)	1		Lead-acid
1	921000200111		Charger48V80A(EU)	1		Lead-acid
1	921000200112		Charger48V80A(ENG)	1		Lead-acid
1	921000200113		Charger48V80A(AUS)	1		Lead-acid
1	921000200114		Charger48V80A(USA)	1		Lead-acid
1	921000200560		Charger48V80A(USA 220V)	1		Lead-acid
1	921000200401		Charger 48V200A (Aisa-CHN)	1		Lithium
1	921000200481		Charger 48V200A (EU)	1		Lithium
1	921000200406		Charger48V150A(Aisa-CHN)	1		Lithium
1	921000200451		Charger48V150A(EU)	1		Lithium
1	921000200712		Charger48V150A(AUS)	1		Lithium
1	921000200713		Charger48V200A(AUS)	1		Lithium
1	921000200696		Charger48V150A(USA)	1		Lithium
1	921000200702		Charger48V200A(USA)	1		Lithium
1	921000200719		Charger48V150A(EU)	1		Lithium
1	921000200773		Charger48V150A(AUS)	1		Lithium
1	921000200771		Charger48V150A(Aisa-ENG)	1		Lithium
1	921000200772		Charger48V150A(USA)	1		Lithium
1	921000200774		Charger48V150A(USA)	1		Lithium

02 Charger (212146036501) Continuation 1

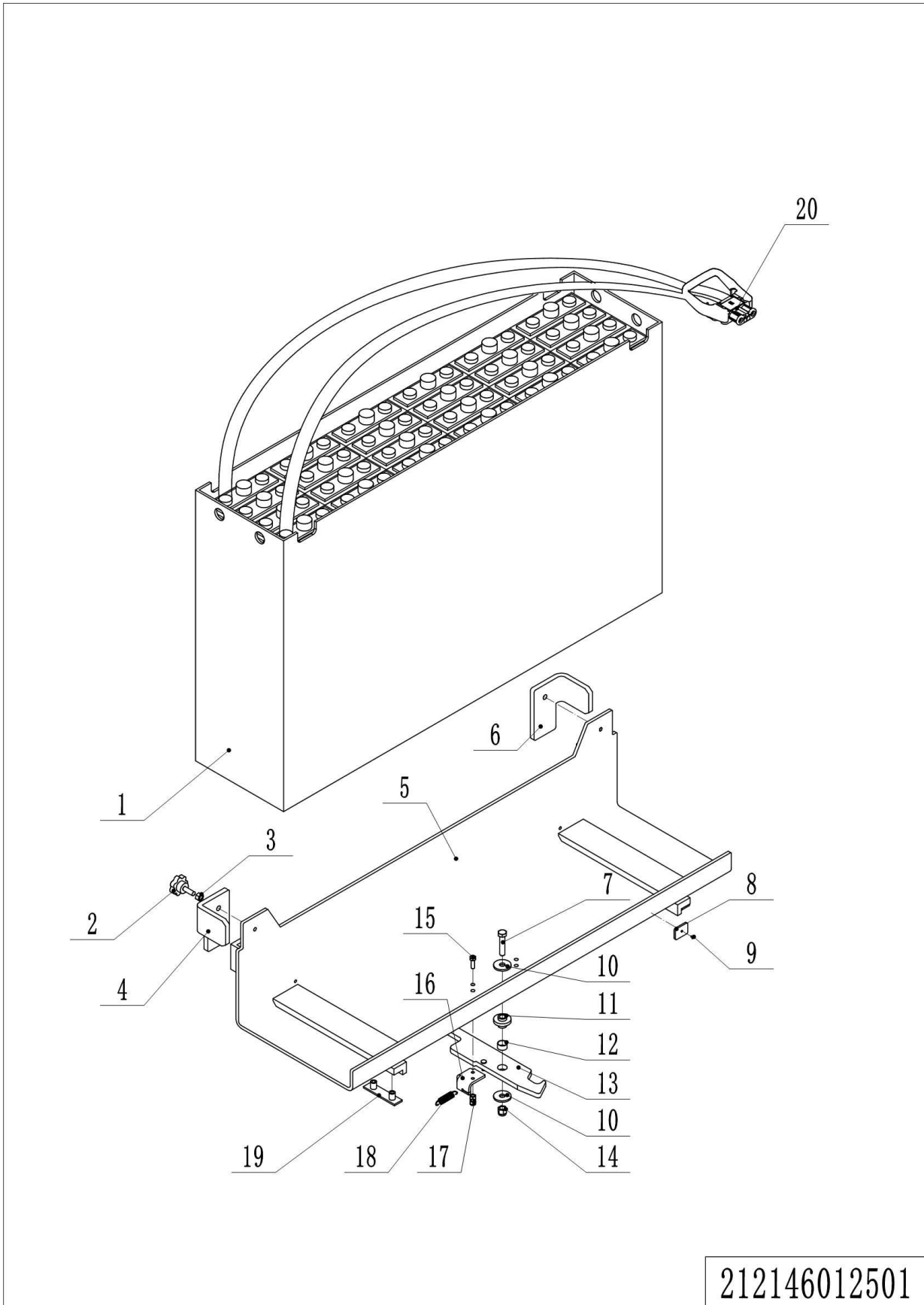


02 Charger (212146036501) Continuation 1

No.	Item Code	Mark	Item Description	Qty.	Substitute	Note
1	921000200775		Charger48V200A(Aisa-ENG)	1		Lithium
1	921000200697		Charger48V200A(USA)	1		Lithium
1	921000200721		Charger48V200A(EU)	1		Lithium
1	921000200776		Charger48V200A(AUS)	1		Lithium
1	921000200777		Charger48V200A(USA)	1		Lithium
1	921000200778		Charger48V200A(USA)	1		Lithium
1	921000200720		Charger48V200A(USA)	1		Lithium
1	921000200565		Charger48V55A(USA)	1		Lead-acid
2	920400100011		Connector	1		Lead-acid
2	920400100021		Connector	1		Lithium

Chapter 7: Special Parts

01 Battery Holder (212146012501)

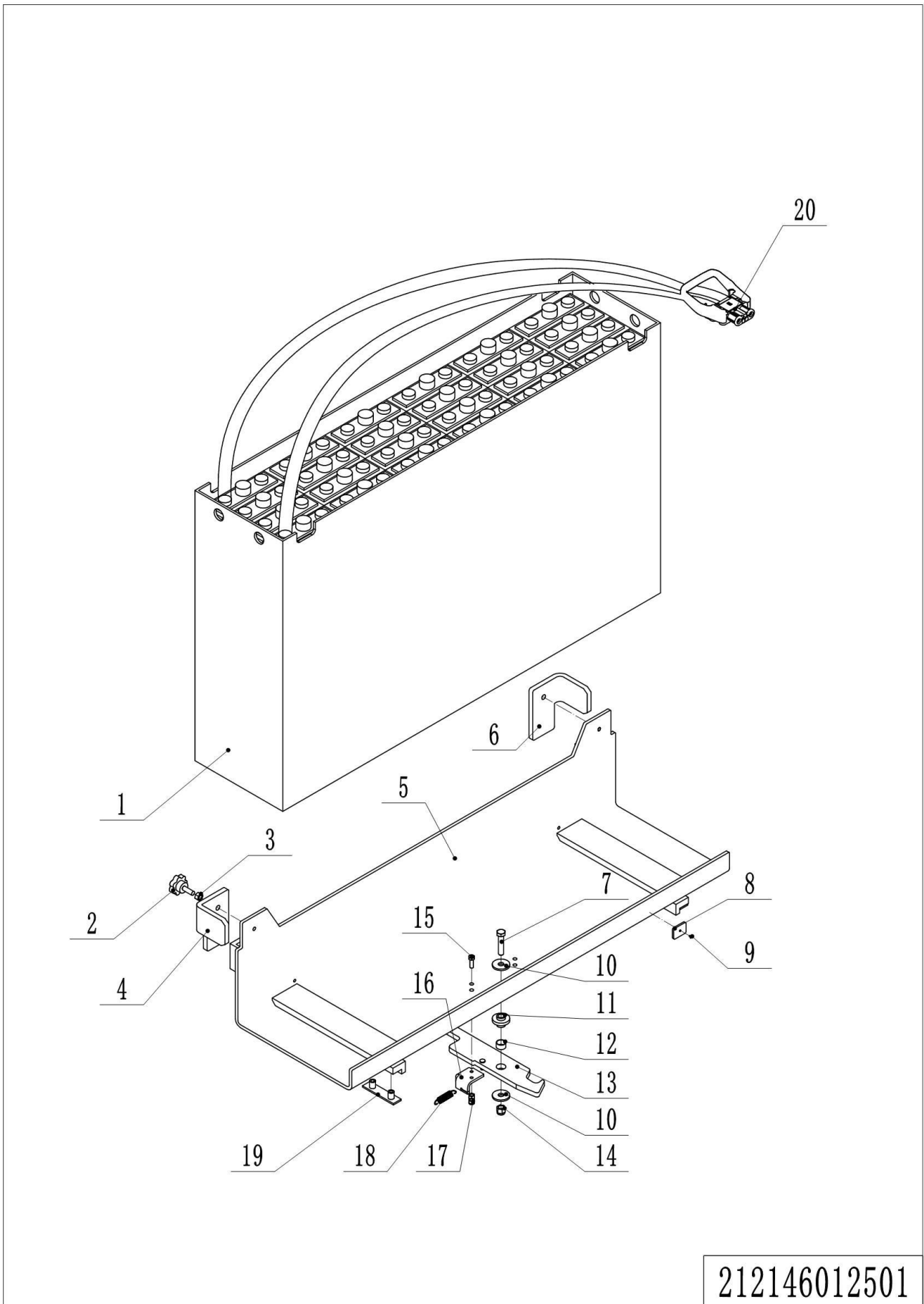


1= Supply as package. 2= Supply with constraints. 3= Phasing-out supply. 4= Supply as assembly. 5= Check other tables.

01 Battery Holder (212146012501)

No.	Item Code	Mark	Item Description	Qty.	Substitute	Note
1	212137010000		Battery48V420Ah(welded)	1		
1	212137010001		Battery48V420Ah	1		
1	212137010002		Battery48V560Ah(welded)	1		
1	212137010003		Battery48V560Ah	1		
1	212137010005		Battery48V600Ah	1		
1	212137010006		Battery48V420Ah	1		
1	212137010007		Battery48V600Ah	1		Automatically add liquid
1	920600100120		Li Battery48V400Ah	1		
1	920600100227		Li Battery48V300Ah	1		
1	920600100274		Li Battery48V300Ah	1		
1	920600100275		Li Battery48V300Ah	1		Heating
1	920600100276		Li Battery48V400Ah	1		
1	920600100277		Li Battery48V400Ah	1		Heating
1	920600100542		Battery48V600Ah	1		EN1175-2020
1	920600100543		Battery48V420Ah	1		EN1175-2020
1	920600100371		Li Battery48V400Ah	1		Anderson
1	920600100431		Li Battery48V300Ah	1		Anderson
1	920600100620		Li Battery48V525Ah	1		
1	212337030002		Battery 48V420Ah	1		
1	212137010010		Battery 48V420Ah	1		
1	212137030004		Battery 48V560Ah	1		
1	920600100711		Li Battery 51.2V277Ah	1		
1	920600100712		Li Battery 51.2V277Ah	1		
1	920600100713		Li Battery 51.2V412Ah	1		
1	920600100714		Li Battery 51.2V412Ah	1		
1	920600100876		Li Battery 51.2V277Ah	1		
2	911000300002		Handle	2		
3	910300100007		Nut	2		

01 Battery Holder (212146012501) Continuation 1



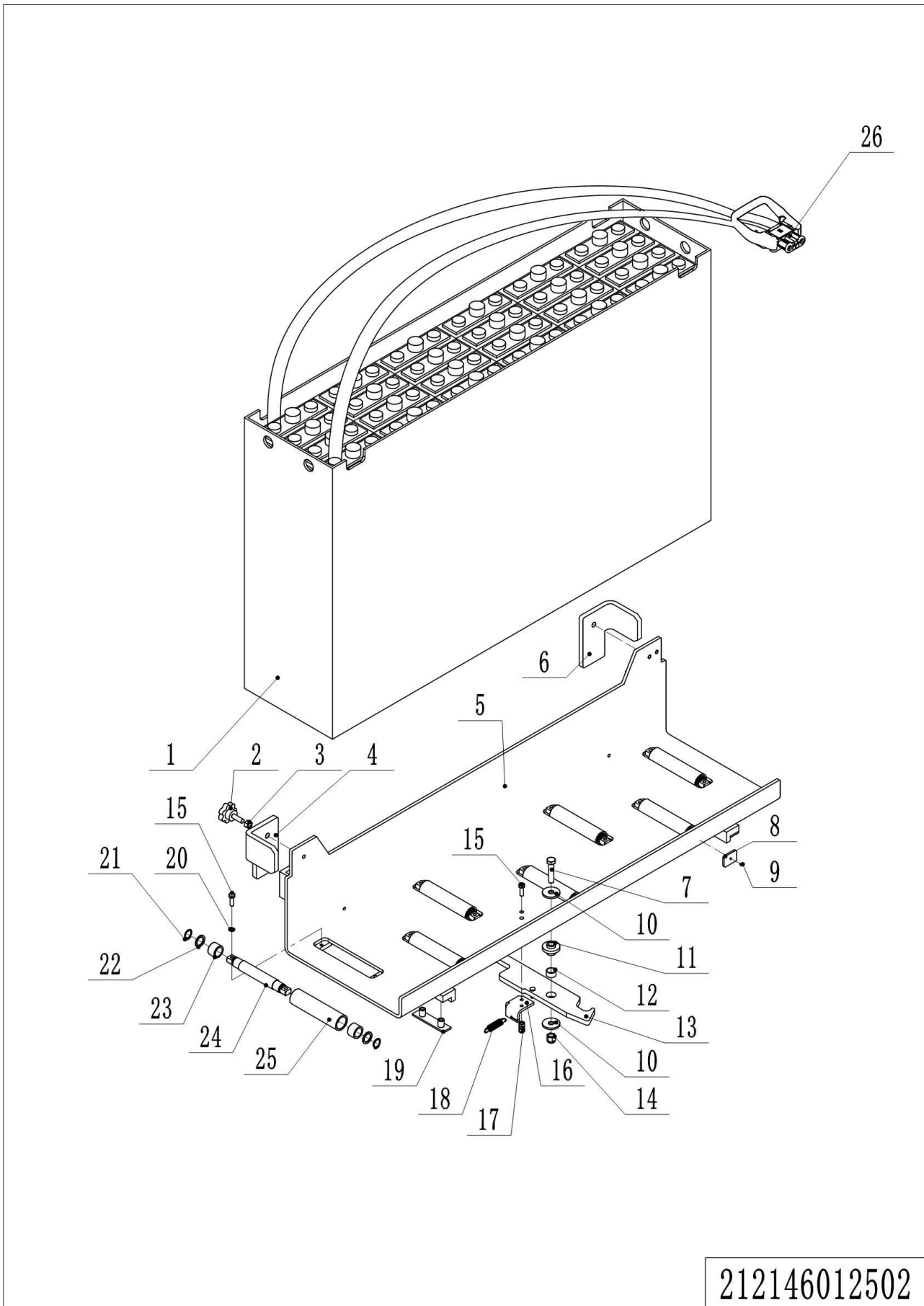
212146012501

1= Supply as package. 2= Supply with constraints. 3= Phasing-out supply. 4= Supply as assembly. 5= Check other tables.

01 Battery Holder (212146012501) Continuation 1

No.	Item Code	Mark	Item Description	Qty.	Substitute	Note
4	213012520303		Stop Block	1		
5	212112510000		Battery Rack	1		With 420Ah Battery
5	213112510000		Battery Rack	1		With 560Ah Battery
6	213012520304		Stop Block	1		
7	910100300055		Bolt	1		
8	255021020068		cushion rubber	2		
9	910200400014		Bolt	2		
10	213012520009		Washer	2		
11	213012520008		Bracket	1		
12	940500100012		Bushing	1		
13	213012510021		Pothook	1		With 420Ah Battery
13	213112510011		Pothook	1		With 560Ah Battery
14	910300500006		Nut	1		
15	910100300023		Bolt	2		
16	213012520005		Plate	1		
17	910300500004		Nut	2		
18	213012520006		Spring	1		
19	255044020131		Base plate	4		
20	920400100014		Battery Plug	1		Lead-acid
20	920400100022		Battery Plug	1		Lithium

02 Battery Holder (Side-pull) (212146012502)



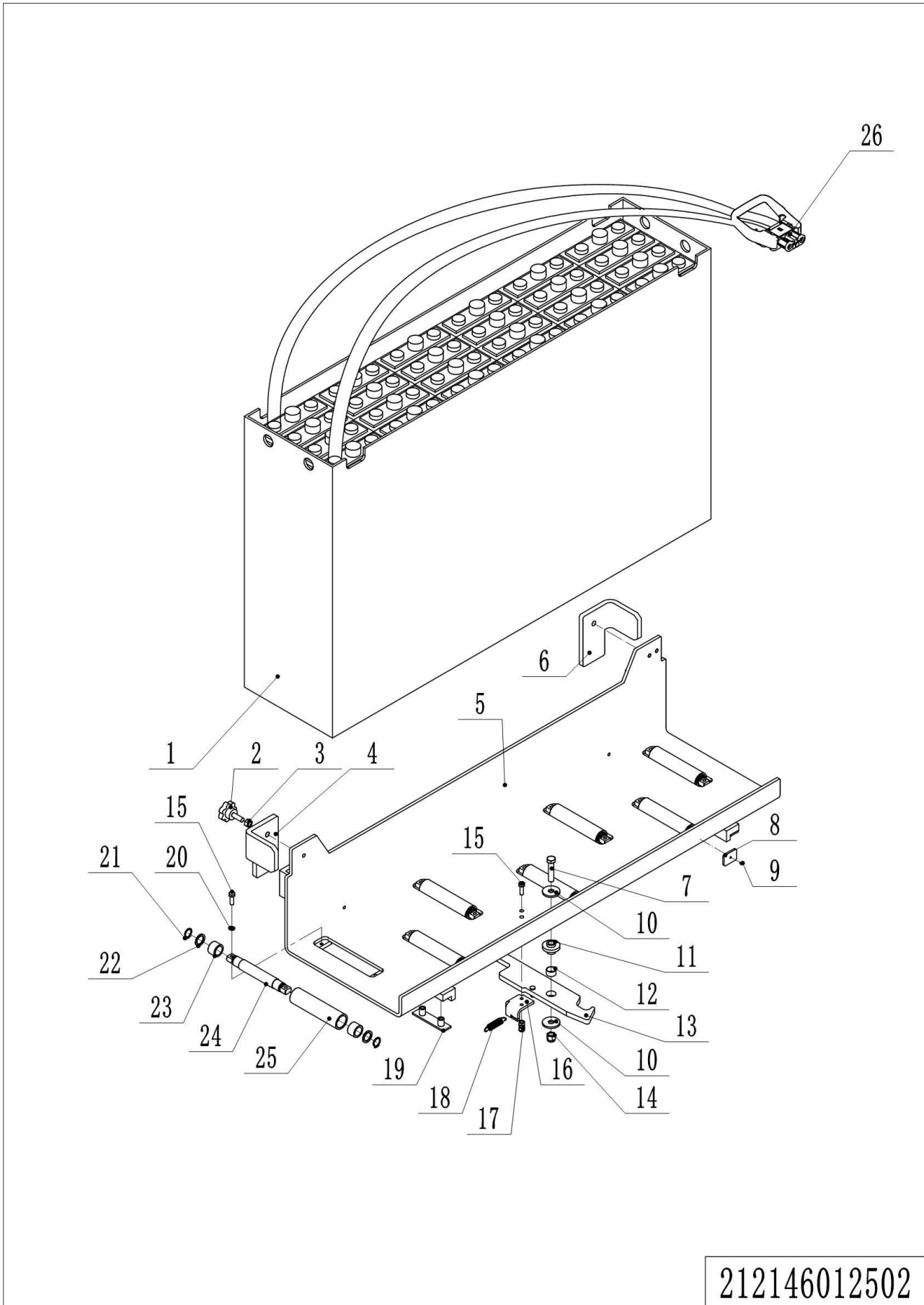
212146012502

1= Supply as package. 2= Supply with constraints. 3= Phasing-out supply. 4= Supply as assembly. 5= Check other tables.

01 Battery Holder (Side-pull) (212146012502)

No.	Item Code	Mark	Item Description	Qty.	Substitute	Note
1	212137010000		Battery48V420Ah(welded)	1		
1	212137010001		Battery48V420Ah	1		
1	212137010002		Battery48V560Ah(welded)	1		
1	212137010003		Battery48V560Ah	1		
1	212137010005		Battery48V600Ah	1		
1	212137010006		Battery48V420Ah	1		
1	212137010007		Battery48V600Ah	1		Automatically add liquid
1	920600100120		Li Battery48V400Ah	1		
1	920600100227		Li Battery48V300Ah	1		
1	920600100274		Li Battery48V300Ah	1		
1	920600100275		Li Battery48V300Ah	1		Heating
1	920600100276		Li Battery48V400Ah	1		
1	920600100277		Li Battery48V400Ah	1		Heating
1	920600100542		Battery48V600Ah	1		EN1175-2020
1	920600100543		Battery48V420Ah	1		EN1175-2020
1	920600100371		Li Battery48V400Ah	1		Anderson
1	920600100431		Li Battery48V300Ah	1		Anderson
1	920600100620		Li Battery48V525Ah	1		
1	212337030002		Battery 48V420Ah	1		
1	212137010010		Battery 48V420Ah	1		
1	212137030004		Battery 48V560Ah	1		
1	920600100711		Li Battery 51.2V277Ah	1		
1	920600100712		Li Battery 51.2V277Ah	1		
1	920600100713		Li Battery 51.2V412Ah	1		
1	920600100714		Li Battery 51.2V412Ah	1		
1	920600100876		Li Battery 51.2V277Ah	1		
2	911000300002		Handle	2		
3	910300100007		Nut	2		

02 Battery Holder (Side-pull) (212146012502) Continuation 1



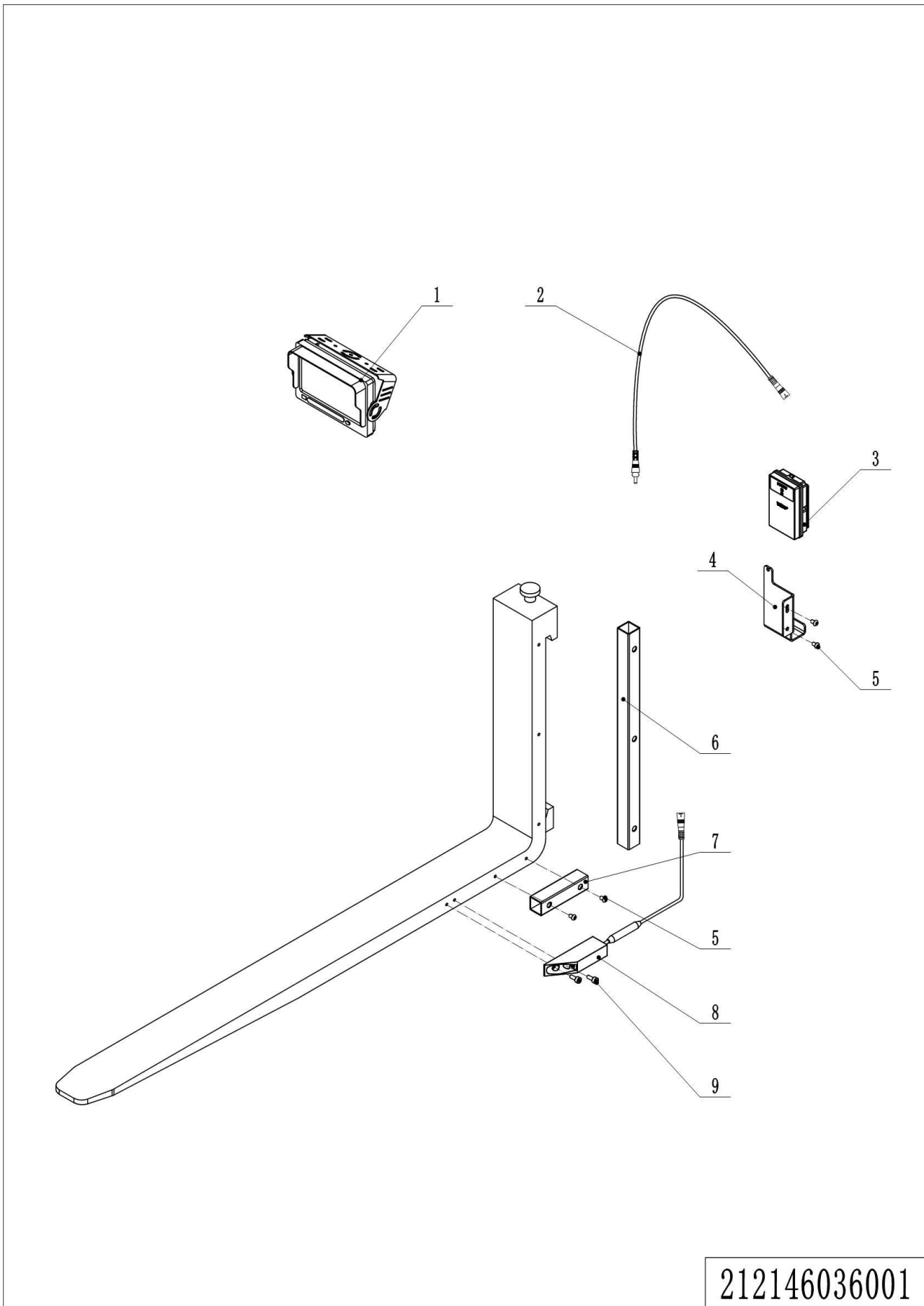
212146012502

1= Supply as package. 2= Supply with constraints. 3= Phasing-out supply. 4= Supply as assembly. 5= Check other tables.

02 Battery Holder (Side-pull) (212146012502) Continuation 1

No.	Item Code	Mark	Item Description	Qty.	Substitute	Note
4	213012520303		Stop Block	1		
5	212112510000		Battery Rack	1		With 420Ah Battery
5	213112510000		Battery Rack	1		With 560Ah Battery
6	213012520304		Stop Block	1		
7	910100300055		Bolt	1		
8	255021020068		Cushion rubber	2		
9	910200400014		Bolt	2		
10	213012520009		Washer	2		
11	213012520008		Bracket	1		
12	940500100012		Bushing	1		
13	213012510021		Pothook	1		With 420Ah Battery
13	213112510011		Pothook	1		With 560Ah Battery
14	910300500006		Nut	1		
15	910100300023		Bolt	16		
16	213012520005		Plate	1		
17	910300500004		Nut	2		
18	213012520006		Spring	1		
19	255044020131		Base plate	4		
20	910400500006		Spring Washer 8	14		
21	910401300011		Circlip	14		
22	232021520104		Washer	14		
23	910700800001		Bearing	14		
24	212112520012		Rollers	7		
25	232021520103		Drum	7		
26	920400100014		Battery Plug	1		Lead-acid
26	920400100022		Battery Plug	1		Lithium

03 Monitor (212146036001)



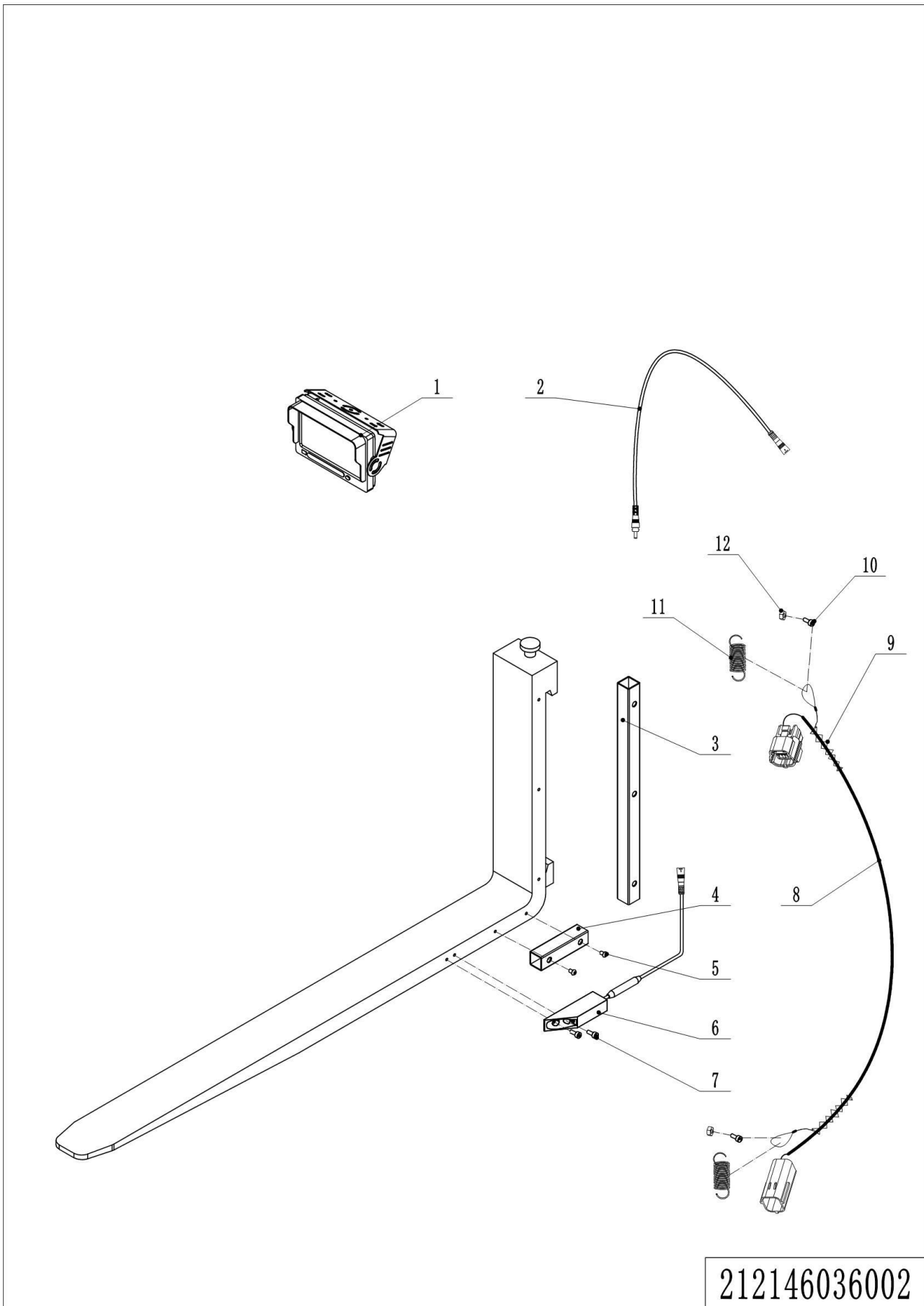
212146036001

1= Supply as package. 2= Supply with constraints. 3= Phasing-out supply. 4= Supply as assembly. 5= Check other tables.

03 Monitor (212146036001)

No.	Item Code	Mark	Item Description	Qty.	Substitute	Note
1	921100100058		Display	1		
2	921500100110		Wire	1		
3	920600100384		Li Battery3.7V30000mAh	1		
4	212136020010		Mounting Bracket	1		
5	910200300017	1	Screw	7		
6	212136020002		Conduit	1		
7	212136020001		Conduit	1		
8	921100100059		Camera	1		
9	910200200033	1	Screw	2		

04 Monitor (Wired power) (212146036002)



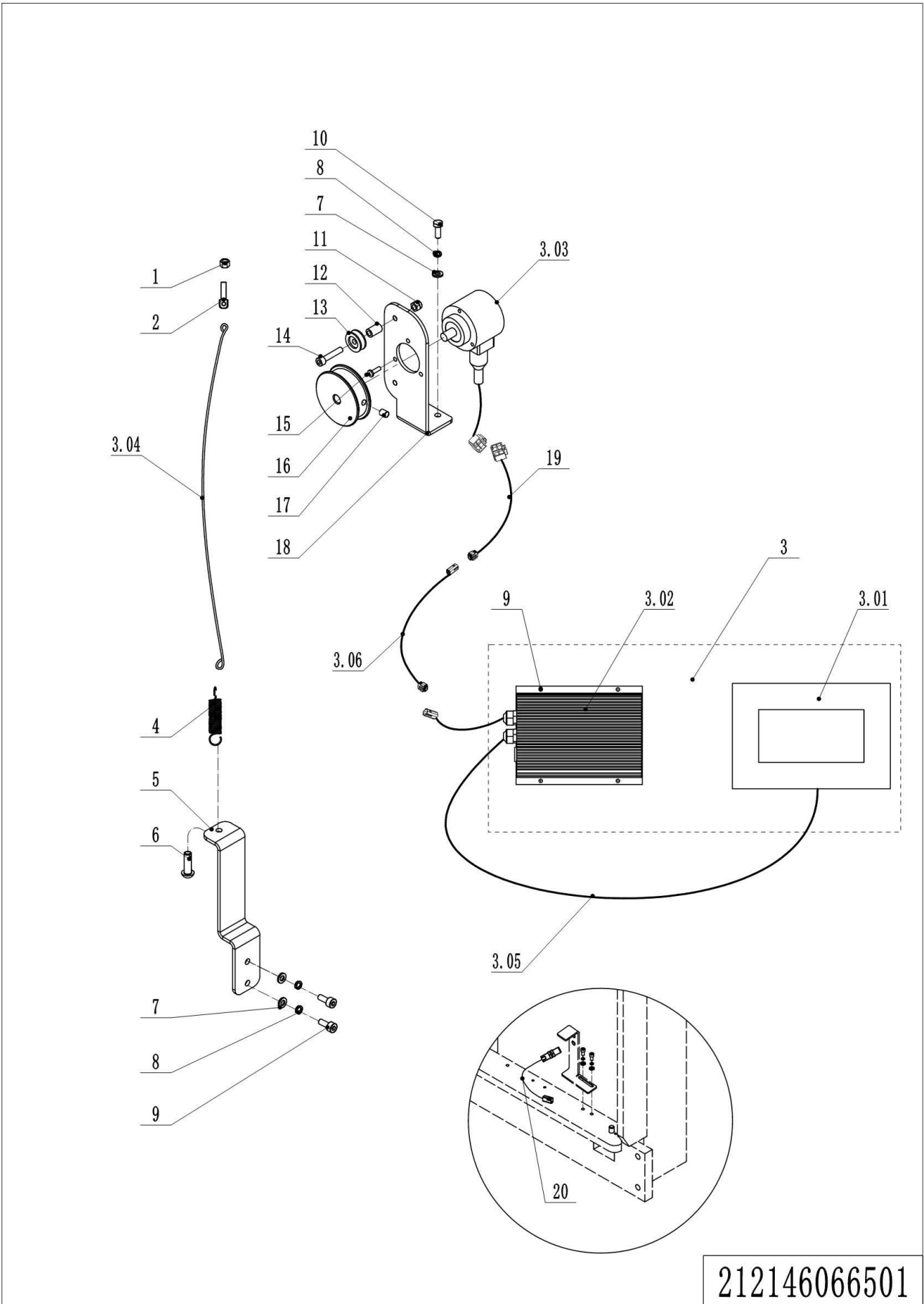
212146036002

1= Supply as package. 2= Supply with constraints. 3= Phasing-out supply. 4= Supply as assembly. 5= Check other tables.

04 Monitor (Wired power) (212146036002)

No.	Item Code	Mark	Item Description	Qty.	Substitute	Note
1	921100100058		Display	1		
2	921500100202		Wire	1		
3	212136020002		Conduit	1		
4	212136020001		Conduit	1		
5	910200300017		Screw	7		
6	921100100117		Camera	1		
7	910200200033		Screw	2		
8	213133010052		Wire Harness	1		4500
8	213133010053		Wire Harness	1		5000
8	213133010054		Wire Harness	1		5500
8	213133010055		Wire Harness	1		6000
8	213133010056		Wire Harness	1		6500
8	213133010057		Wire Harness	1		7000
8	213133010058		Wire Harness	1		7500
8	213133010059		Wire Harness	1		8000
8	213133010060		Wire Harness	1		8500
8	213133010061		Wire Harness	1		9000
8	213133010062		Wire Harness	1		9500
9	921300200020		Expanded Mesh	2		
10	212166520001		Threaded Rod	2		
11	940400600005		Spring	2		
12	910300100005	1	Nut M6	2		

05 Height Preselection System (212146066501)



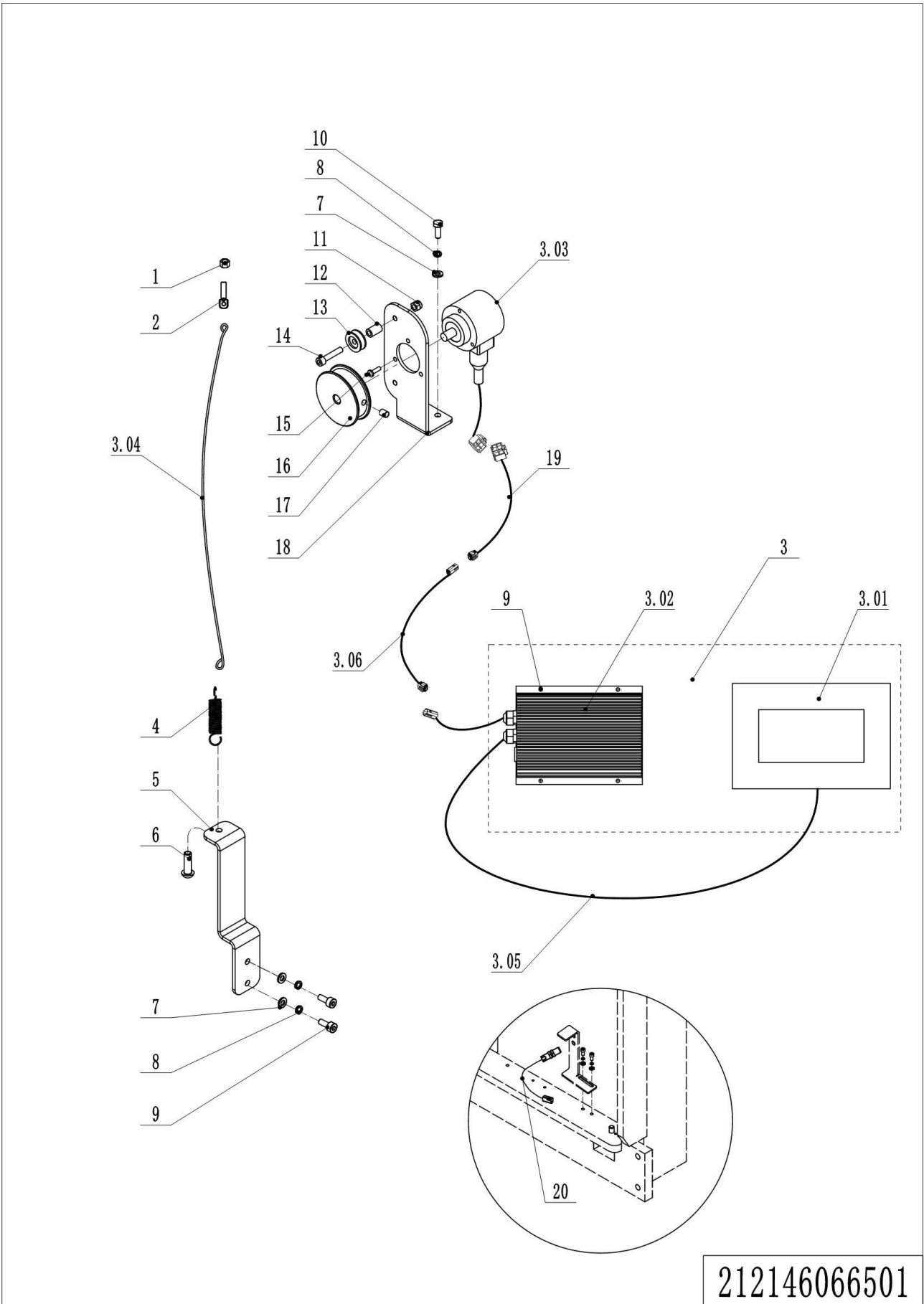
212146066501

1= Supply as package. 2= Supply with constraints. 3= Phasing-out supply. 4= Supply as assembly. 5= Check other tables.

05 Height Preselection System (212146066501)

No.	Item Code	Mark	Item Description	Qty.	Substitute	Note
1	910300100005	1	Nut	1		
2	212166520001		Screw	1		
3	922200100021		Height Preselection System	1		
3.01	212198520000		Display	1		
3.02	212198520005		Controller	1		
3.03	921800200035		Encoder	1		
3.04	212198520003		Wire Rope	1		
3.05	212198520004		Wire Harness	1		
3.06	212198520001		Wire Harness	1		
4	213012520006		Spring	1		
5	212166520004		Fixing Plate	1		
6	941100800001		Pin	1		
7	910400100005	1	Flat Washer	10		
8	910400500005	1	Spring Washer	10		
9	910200200033	1	Screw	6		
10	910100300009	1	Bolt	4		
11	910300500003		Nut	2		
12	212166520006		Spacer Bush	2		
13	212166520005		Pulley	2		
14	910200200039		Bolt	2		
15	910200500022	1	Screw	3		
16	212166520002		Pulley	1		
17	910201000005	1	Screw	1		
18	212166520003		Mounting Plate	1		
19	213133010002		Wire Harness	1		4500
19	213133010003		Wire Harness	1		5000

05 Height Preselection System (212146066501) Continuation 1



212146066501

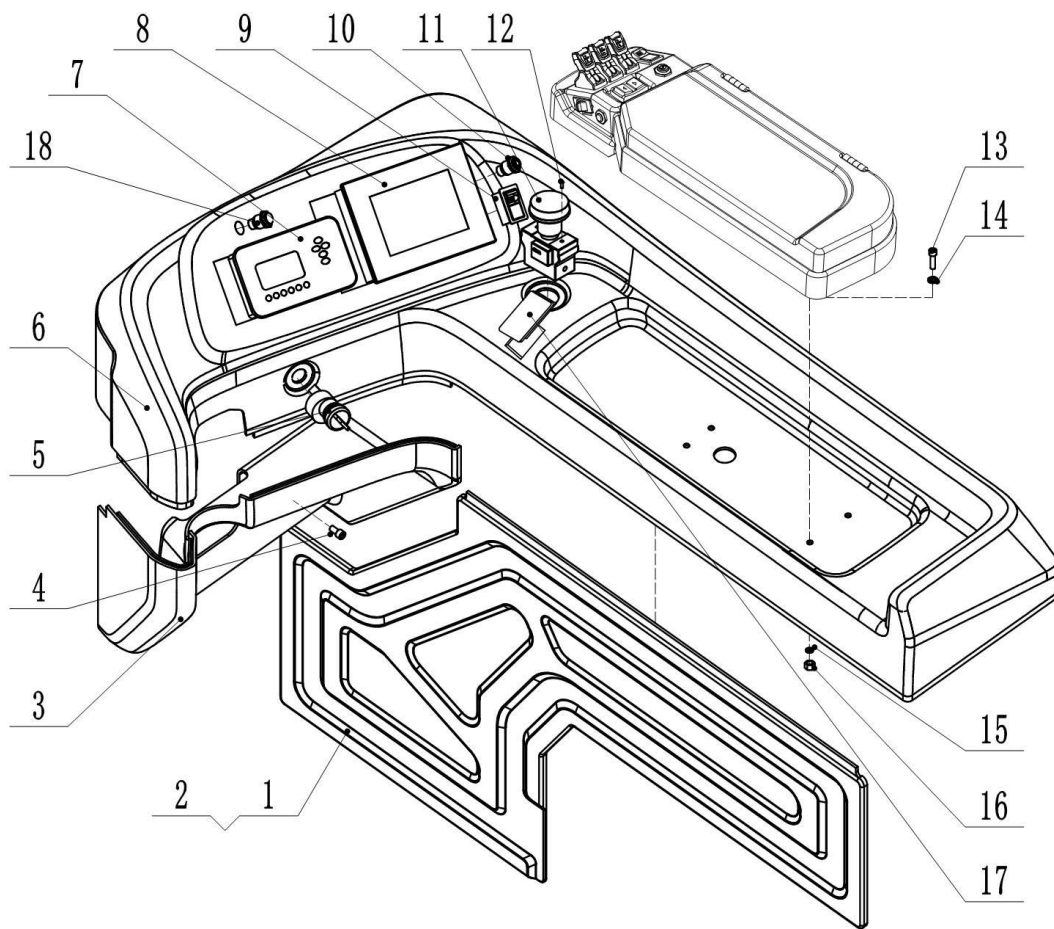
1= Supply as package. 2= Supply with constraints. 3= Phasing-out supply. 4= Supply as assembly. 5= Check other tables.

05 Height Preselection System (212146066501) Continuation 1

No.	Item Code	Mark	Item Description	Qty.	Substitute	Note
19	213133010004		Wire Harness	1		5500
19	213133010005		Wire Harness	1		6000
19	213133010006		Wire Harness	1		6500
19	213133010007		Wire Harness	1		7000
19	213133010008		Wire Harness	1		7500
19	213133010009		Wire Harness	1		8000
19	213133010010		Wire Harness	1		8500
19	213133010011		Wire Harness	1		9000
19	213133010012		Wire Harness	1		9500
20	212133510008		Proximity Switch	1		

Chapter 8: Others

01 Control Panel (212146010001)



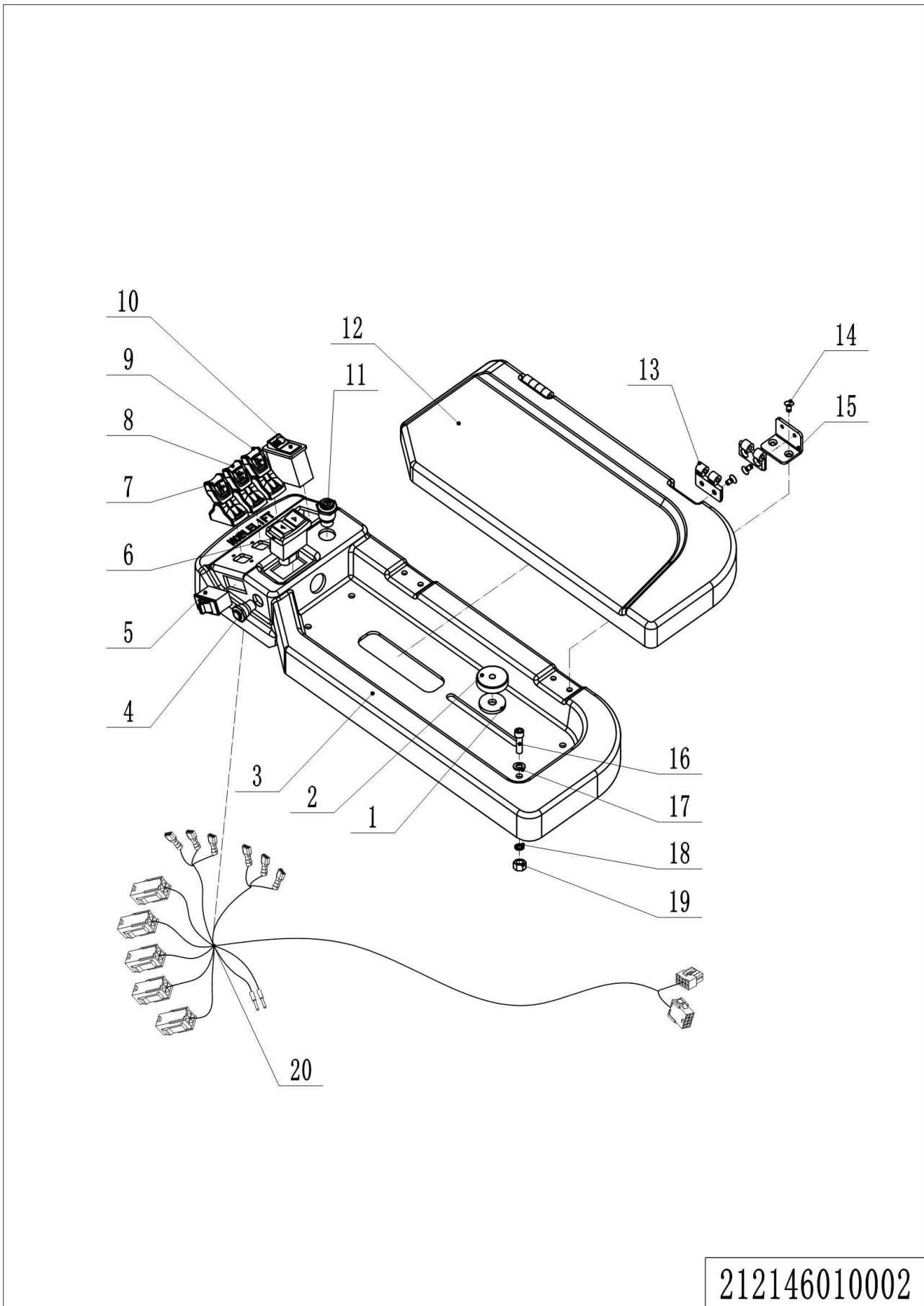
212146010001

1= Supply as package. 2= Supply with constraints. 3= Phasing-out supply. 4= Supply as assembly. 5= Check other tables.

01 Control Panel (212146010001)

No.	Item Code	Mark	Item Description	Qty.	Substitute	Note
1	212110020025		Side Plate	1		
2	910200500052	1	Screw	10		
3	212110020001		Close Plate	1		
4	910200300017	1	Screw	1		
5	920200200002		Key Switch	1		Lead-acid
5	212734001000		Key Switch	1		Lithium
6	212110020026		Protective Cover	1		
6	212110020030		Protective Cover	1		Height Preselection System
7	921100100011		Display	1		3501
7	921100100063		Display	1		3401
8	/		/	1		
9	920200800048		Rocker Switch	1		
10	212133510012		Button	1		
11	920200100001		Emergency Button	1		
12	910200300013	1	Screw	2		
13	910200200036	1	Screw	4		
14	910400100005	1	Flat Washer	4		
15	910400500005	1	Spring Washer	4		
16	910300100005	1	Nut	4		
17	920200200015		Password lock	1		
18	921900100022		USB	1		

02 Integrated Control Console (212146010002)

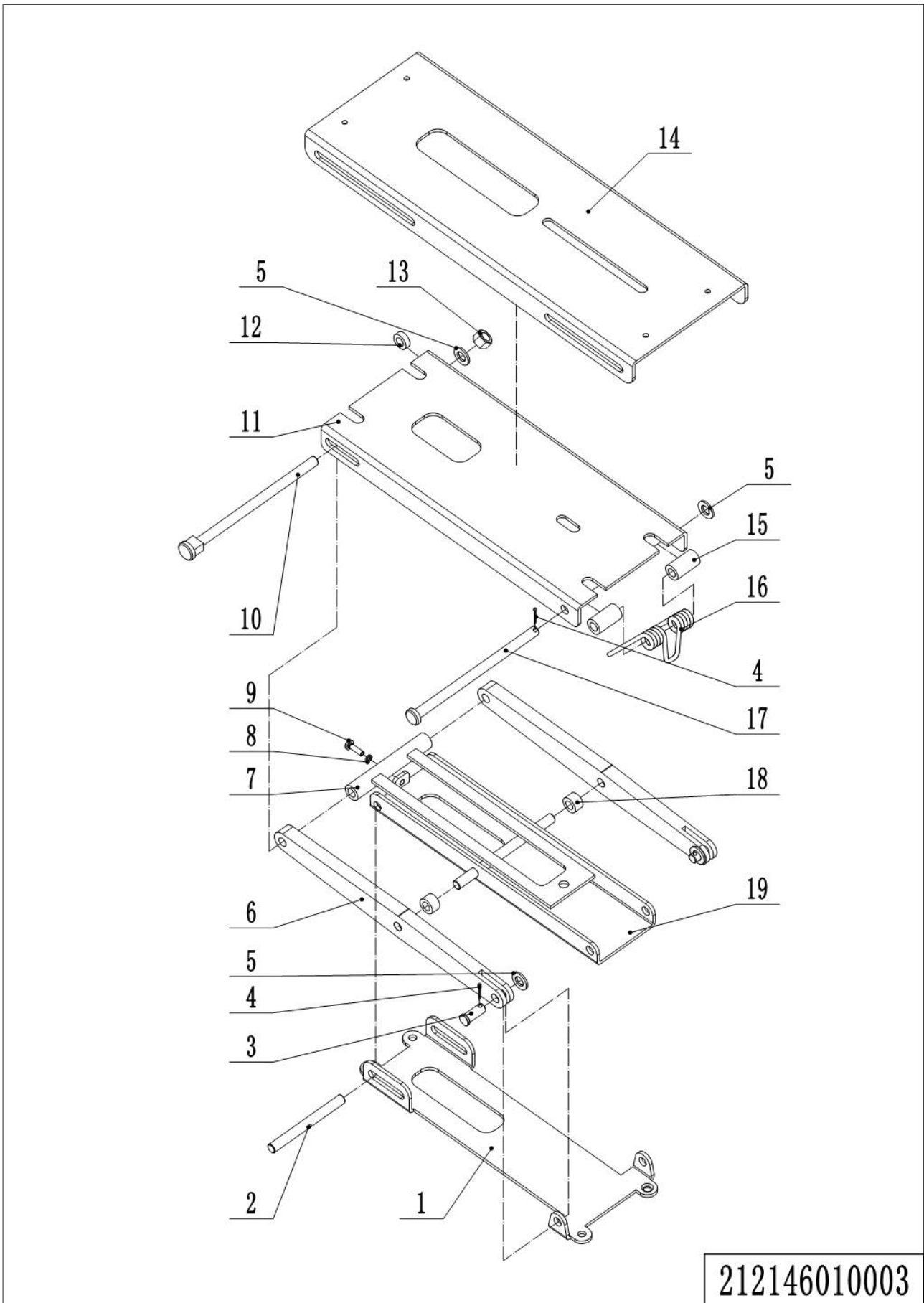


1= Supply as package. 2= Supply with constraints. 3= Phasing-out supply. 4= Supply as assembly. 5= Check other tables.

02 Integrated Control Console (212146010002)

No.	Item Code	Mark	Item Description	Qty.	Substitute	Note
1	212110020010		Washer	1		
2	212110020028		Handle	1		
3	212110020003		Protective Cover	1		
3	212110020035		Protective Cover	1		P+G
4	920200700003		Switch	1		
5	212133510017		Switch	1		Shift FW./ BW.
5	213133510005		Switch	1		Shift FW./ BW. (two-way)
6	920200800040		Rocker Switch	1		
7	212133510014		Switch	1		Lift/ Lower(100mm)
7	212133510020		Switch	1		Lift/ Lower(160mm),Disable
7	213133510002		Switch	1		Lift/ Lower(two-way)
8	212133510015		Switch	1		Move FW./ BW. (100mm)
8	212133510021		Switch	1		Move FW./ BW. (160mm) ,Disable
8	213133510003		Switch	1		Move FW./ BW. (two-way)
9	212133510016		Switch	1		Tilt Up/ Down(100mm)
9	212133510022		Switch	1		Tilt Up/ Down(160mm) ,Disable
9	213133510004		Switch	1		Tilt Up/ Down(two-way)
10	920200800049		Rocker Switch	1		
11	212133510013		Button	1		
12	212110010000		Cover	1		
13	940801300003		Hinge	2		
14	910200600016	1	Screw	12		
15	212110020004		Fixing Plate	2		
16	910200200036	1	Screw	4		
17	910400100005	1	Flat Washer	4		
18	910400500005	1	Spring Washer	4		
19	910300100005	1	Nut	4		
20	212133010016		Wire Harness	1		
20	213133010023		Wire Harness	1		EN1175-2020
20	213133010033		Wire Harness	1		Capacitance

03 Adjustable Console Support (212146010003)

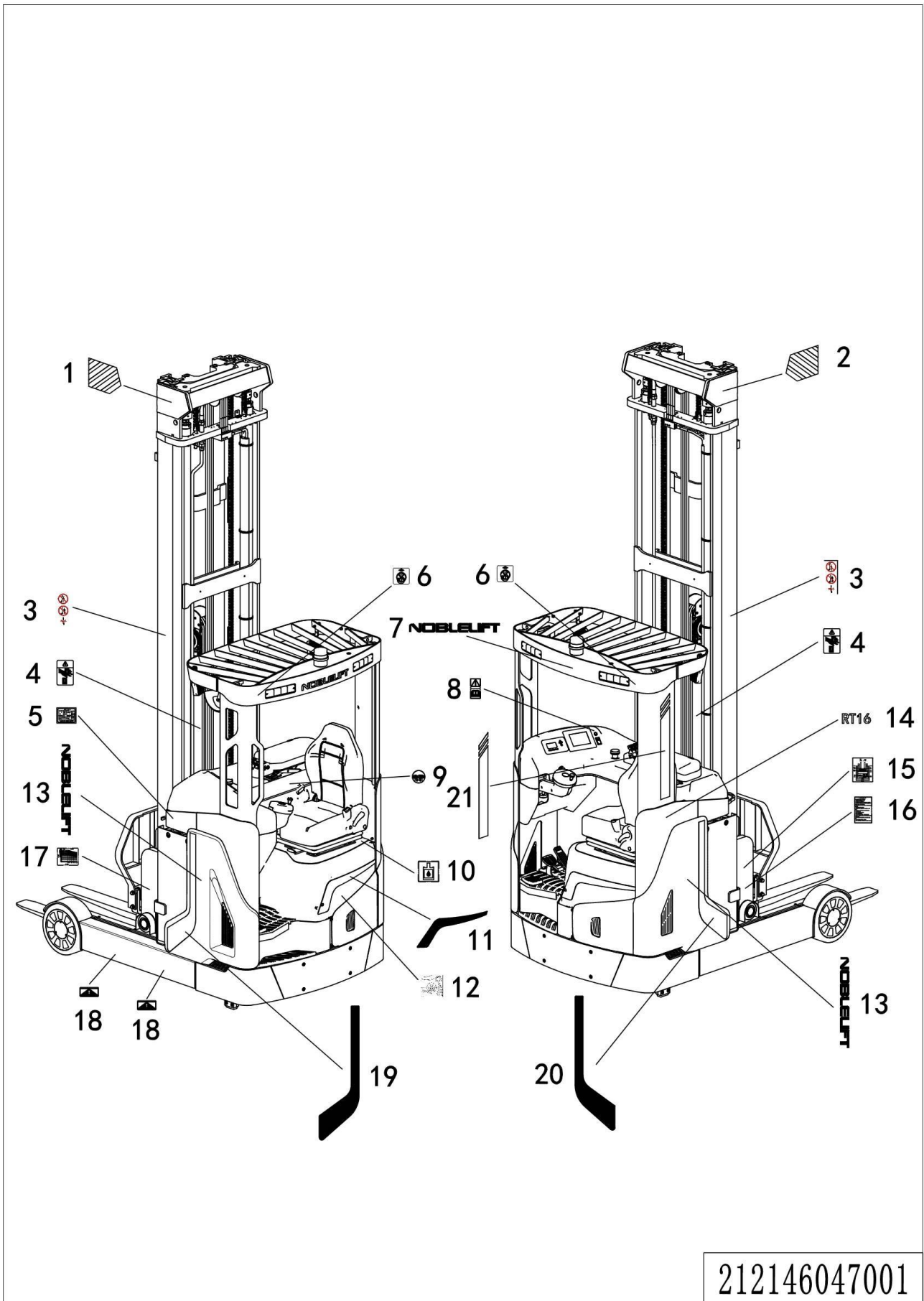


1= Supply as package. 2= Supply with constraints. 3= Phasing-out supply. 4= Supply as assembly. 5= Check other tables.

03 Adjustable Console Support (212146010003)

No.	Item Code	Mark	Item Description	Qty.	Substitute	Note
1	212110020012		Baseboard	1		
2	212110020008		Axle	1		
3	212110020016		Pin	2		
4	910600600026		Cotter Pin	3		
5	910400100006	1	Flat Washer	4		
6	212110020011		Fork Plate(outer)	2		
7	212110010001		Bracket	1		
8	910400500003		Spring Washer	1		
9	910200500022	1	Screw	1		
10	212110020007		Axle	1		
11	212110020006		Sliding Plate	1		
12	212110020009		Spacer Bush	1		
13	910300500004	1	Nut	1		
14	212110020005		Bracket	1		
15	212110020013		Spacer Bush	2		
16	212110020027		Torsional Spring	1		
17	212110020014		Pin	1		
18	212110020015		Spacer Bush	2		
19	212110010002		Fork Plate(inner)	1		

04 Labels and Decals (212146047001)



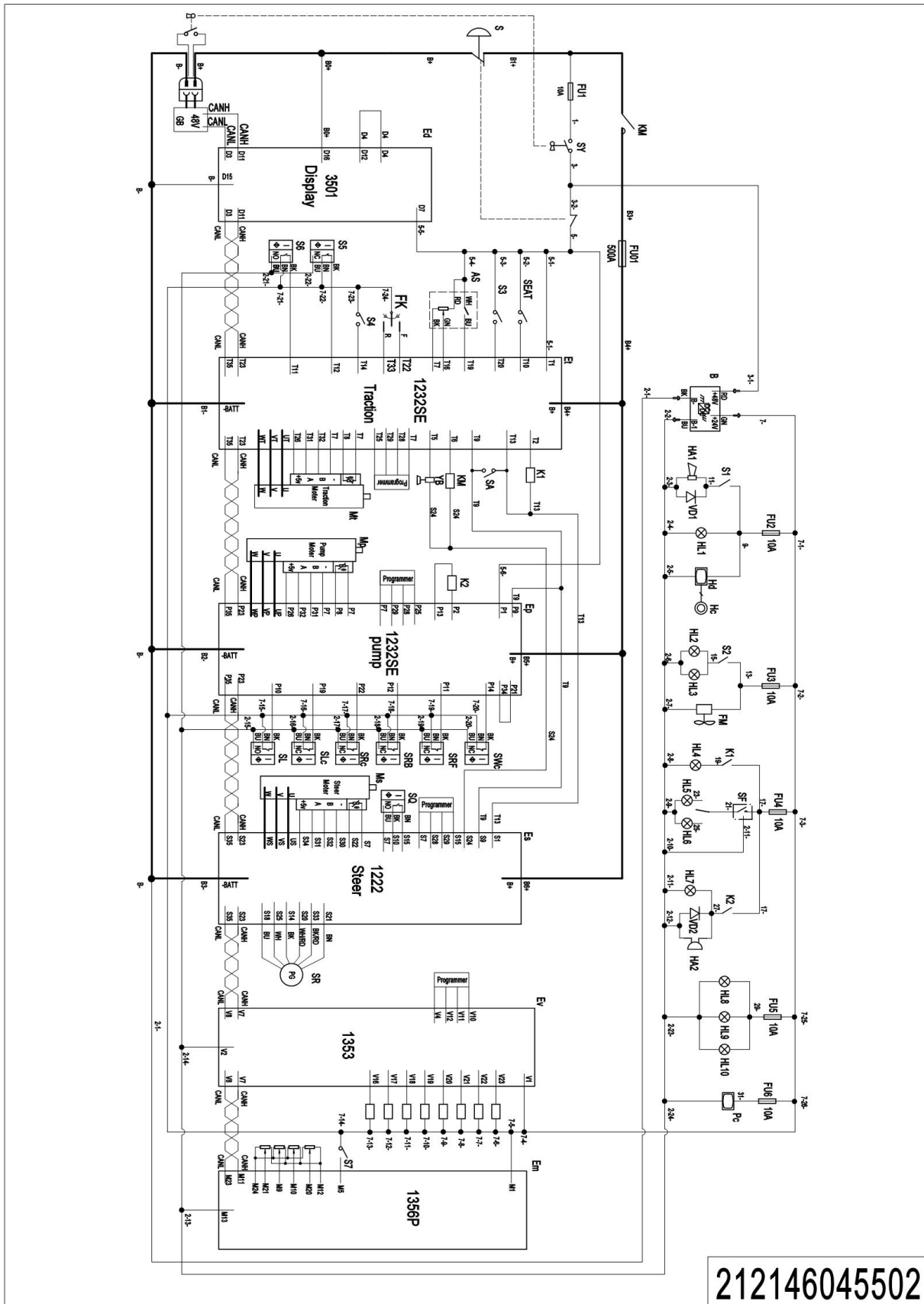
1= Supply as package. 2= Supply with constraints. 3= Phasing-out supply. 4= Supply as assembly. 5= Check other tables.

04 Labels and Decals (212146047001)

No.	Item Code	Mark	Item Description	Qty.	Substitute	Note
1	212147020005		Label	1		
2	212147020004		Label	1		
3	941200100004		Label	2		
4	941200100027		Label	2		
5	941200600003		Identification Plate	1		
6	941200100025		Label	2		
7	212147020007		Label	1		
8	941200300011		Label	1		
9	255047020012		Label	1		
10	255047020004		Label	1		
11	212147020009		Label	1		
12	/		Label	1		
13	212147020006		Label	2		
14	212147020003		Model Label	1		
15	212147020010		Label, Lubrication	1		
16	212147020012		Precautions	1		
17	212147020016		Load Capacity Diagram	1		
18	255047020023		Label	2		
19	212147020002		Label	1		
20	212147020001		Label	1		
21	212147020008		Label	1		

Appendix

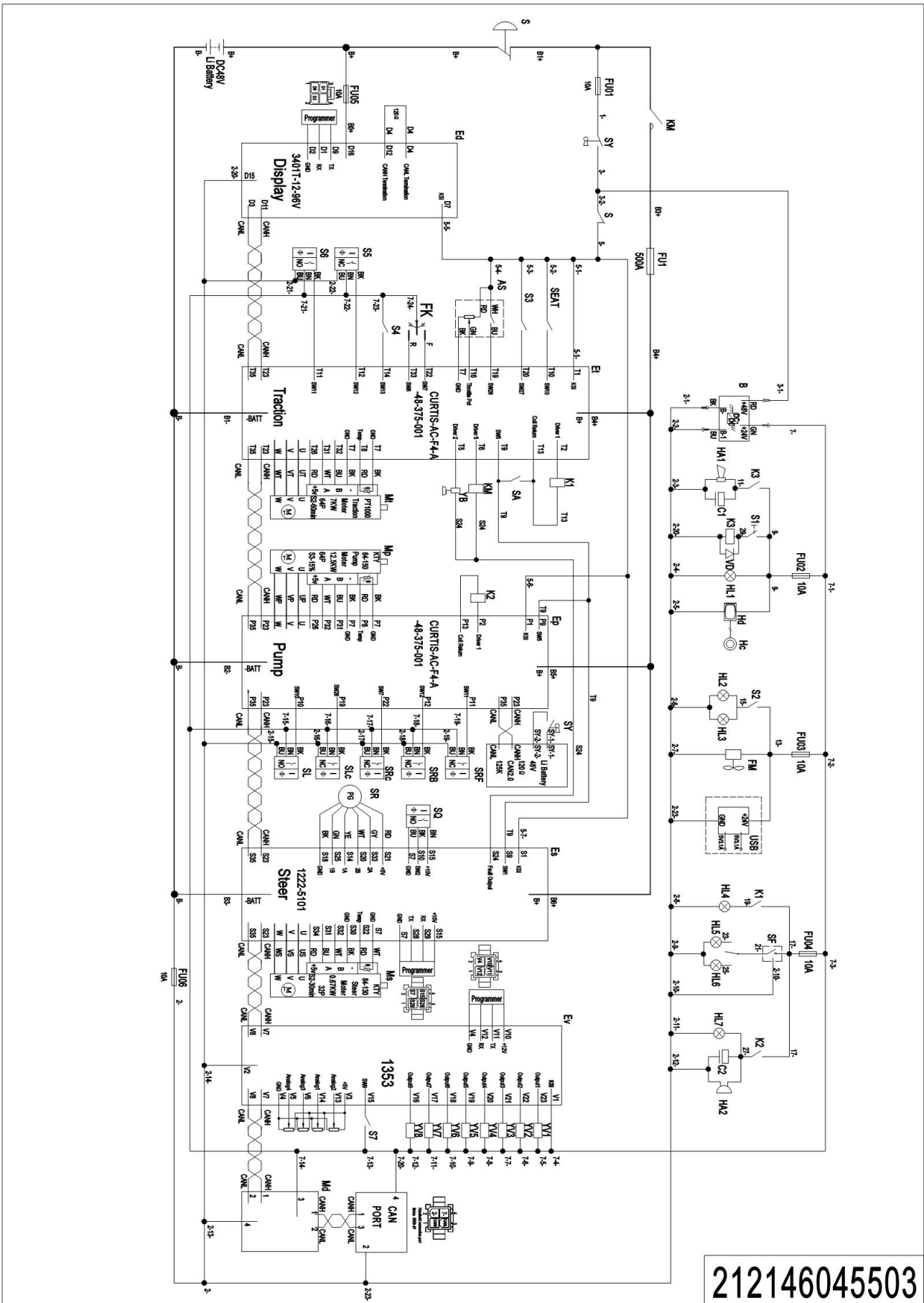
01 Electrical Circuit Diagram (1232SE)



212146045502

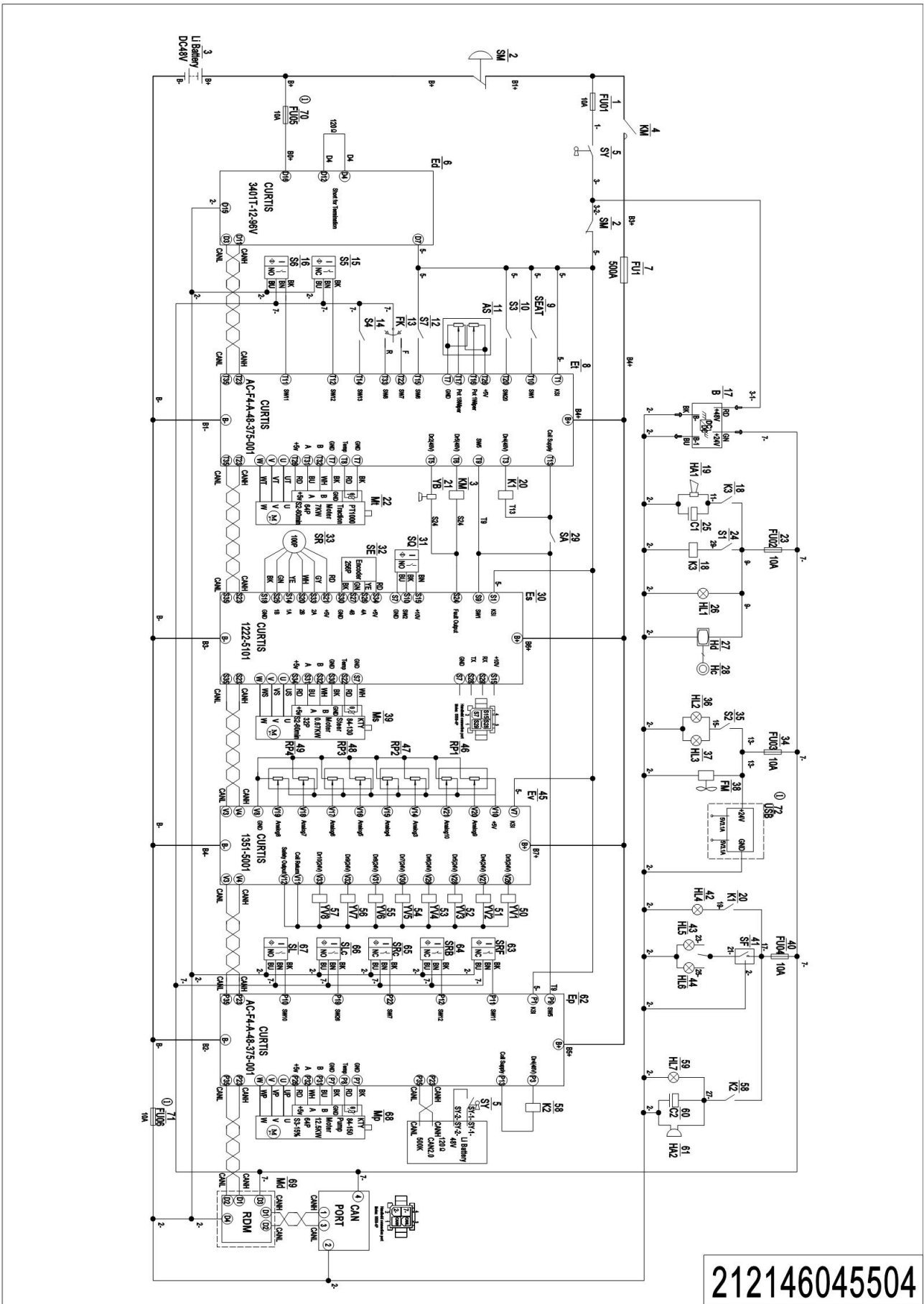
1= Supply as package. 2= Supply with constraints. 3= Phasing-out supply. 4= Supply as assembly. 5= Check other tables.

02 Electrical Circuit Diagram (F4A)



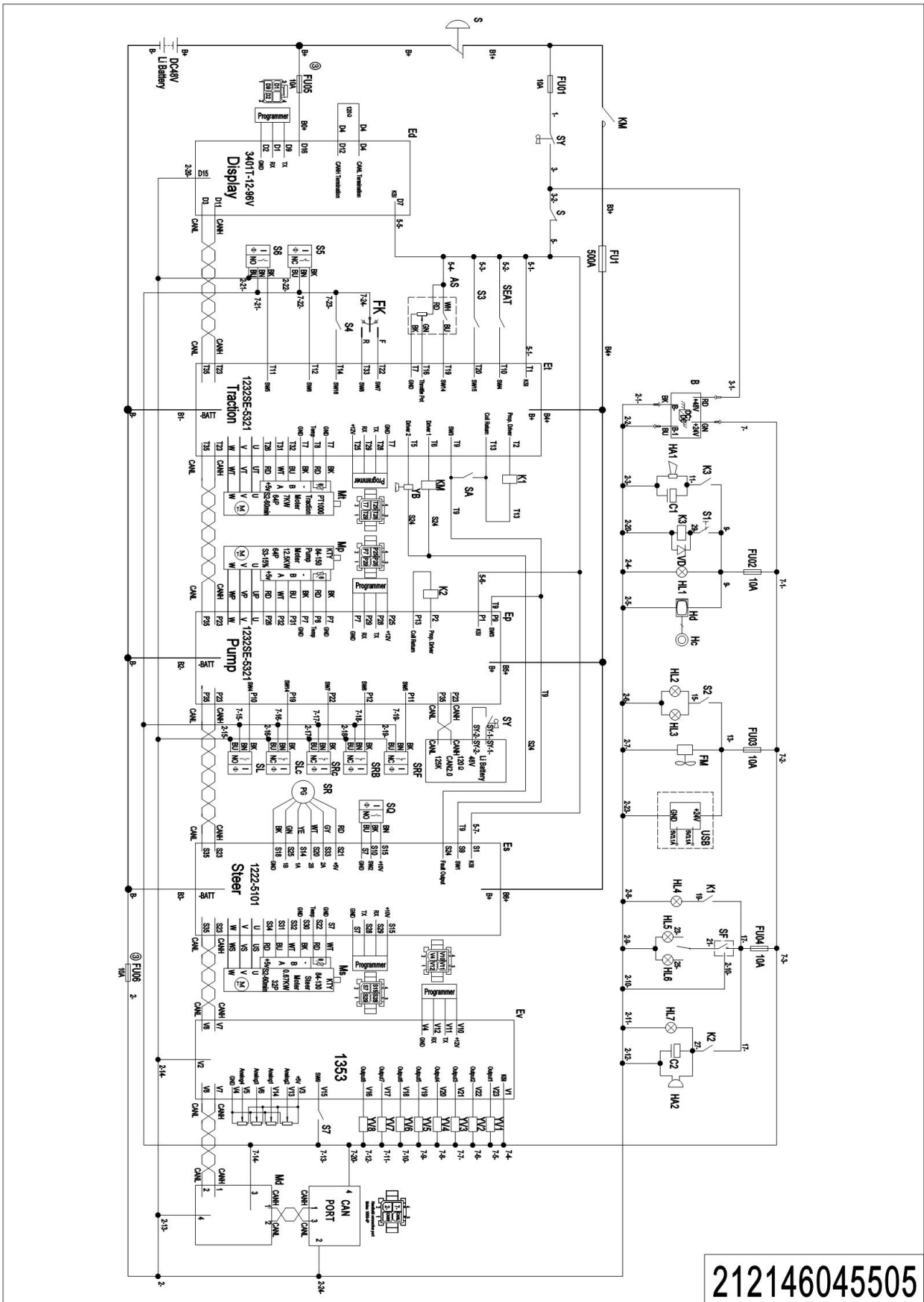
1= Supply as package. 2= Supply with constraints. 3= Phasing-out supply. 4= Supply as assembly. 5= Check other tables.

03 Electrical Circuit Diagram (F4A, EN1175-2020)



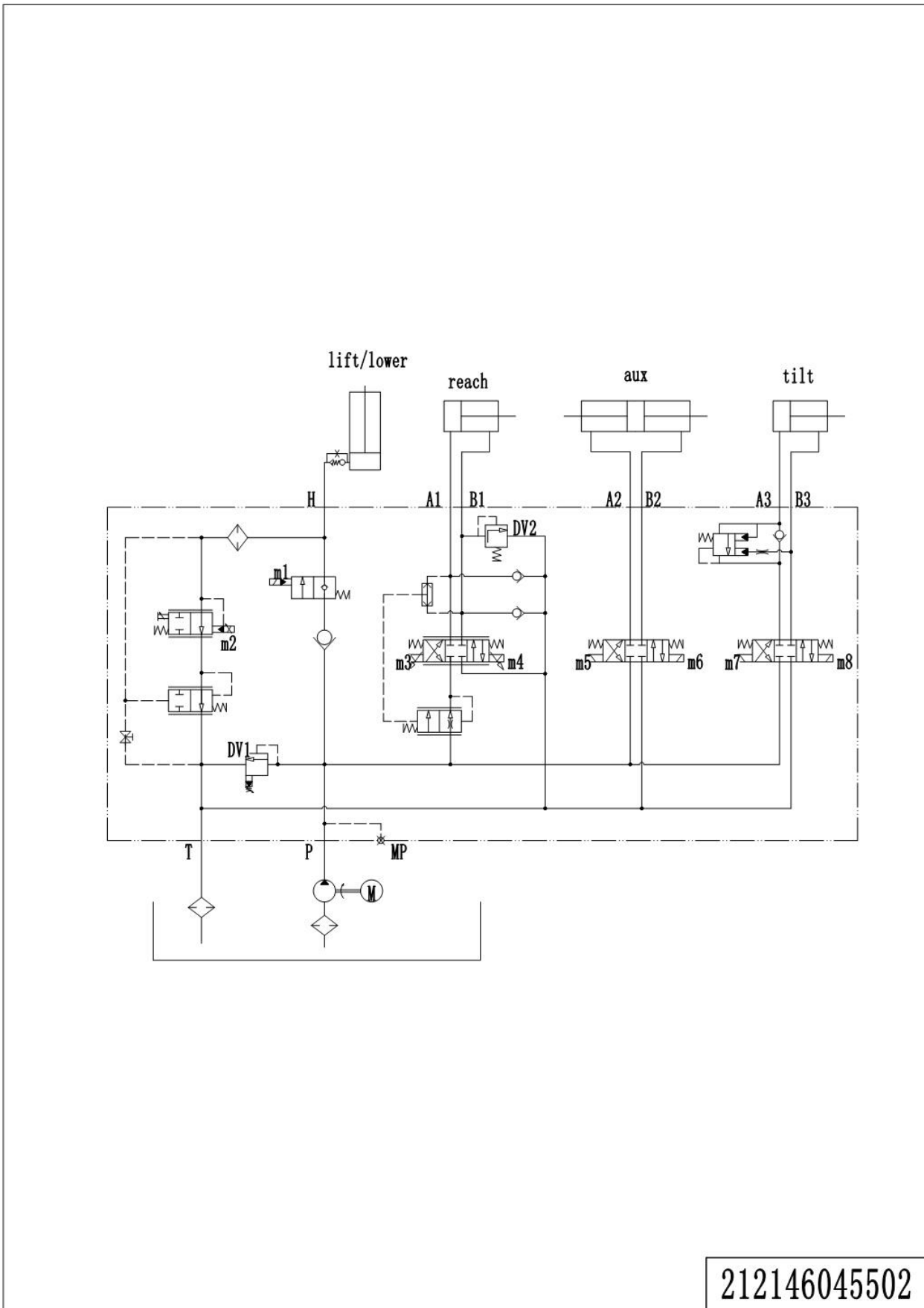
1= Supply as package. 2= Supply with constraints. 3= Phasing-out supply. 4= Supply as assembly. 5= Check other tables.

04 Electrical Circuit Diagram (1232SE+1353+3401)



1= Supply as package. 2= Supply with constraints. 3= Phasing-out supply. 4= Supply as assembly. 5= Check other tables.

05 Hydraulic Circuit Diagram



1= Supply as package. 2= Supply with constraints. 3= Phasing-out supply. 4= Supply as assembly. 5= Check other tables.

06 Consumable Parts List

No.	Item Code	Item Description	Qty.	Chapter/ Section/ Number
1	940300400041	Wheel Φ 343x140	1	Chapter 1 /01/20
2	910700200004	Bearing	2	Chapter 1 /02/28
3	212198510004	Seal Kit	1	Chapter 2/03/6.01
4	212198510000	Seal Kit	2	Chapter 2/05/2.01
5	212121520048	Gas Spring	1	Chapter 3/01/18
6	212198510002	Seal Kit	1	Chapter 4/01/17.01
7	940200300052	Compound Roller	4	Chapter 4/01/20 Chapter 4/02/14
8	940200300034	Compound Roller	10	Chapter 4/02/3 Chapter 4/03/16 Chapter 4/05/9
9	212198510003	Seal Kit	1	Chapter 4/03/15.01
10	940200100042	Main Roller	2	Chapter 4/04/12
11	940200300042	Compound Roller	4	Chapter 4/04/14
12	940200100008	Main Roller	4	Chapter 4/04/21
13	940500400013	Bearing	4	Chapter 4/05/11
14	910700200019	Bearing	4	Chapter 4/06/3
15	940500100016	Bushing	1	Chapter 4/06/17
16	910800100124	O-RING	30	Chapter 4/06/19 Chapter 4/06/63
17	940500100079	Bushing	20	Chapter 4/06/32
18	910800100125	O-RING	4	Chapter 4/06/46
19	910700200004	Bearing	1	Chapter 5/01/12
20	940500200016	Bushing	2	Chapter 5/03/3
21	941101000005	Bearing	1	Chapter 5/04/7
22	940300300066	Wheel Φ 285x110	2	Chapter 5/04/8
23	910700800001	Bearing	14	Chapter 7/02/23
24	920100100014	Fuse 500A	1	Chapter 3/02/1
25	920100200002	Fuse 10A	4	Chapter 3/02/6
26	940500100012	Bushing	1	Chapter 7/01/12
27	212133510017	Switch	1	Chapter 8/02/5

Print Number:

Print Date:

28	212133510014	Switch	1	Chapter 8/02/7
29	212133510015	Switch	1	Chapter 8/02/8
30	212133510016	Switch	1	Chapter 8/02/9